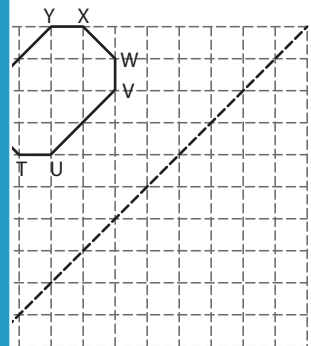
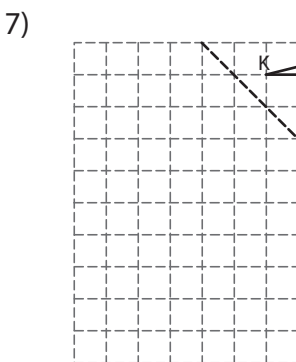
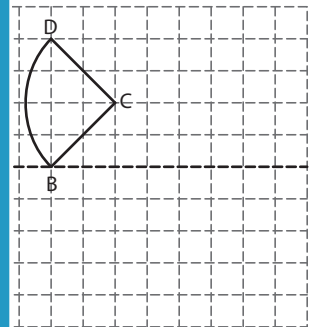
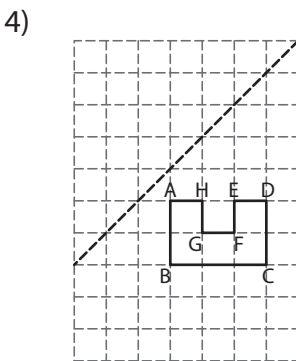
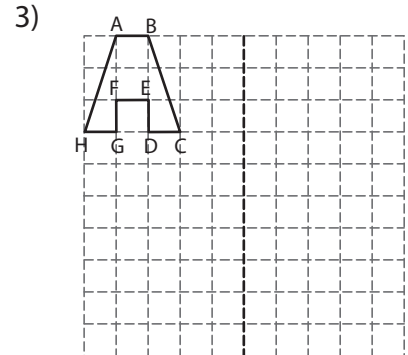
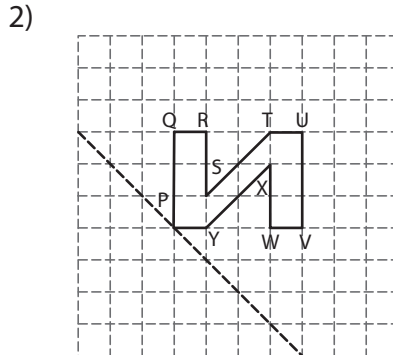
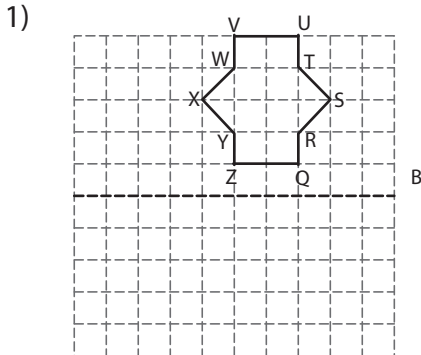


Mirror Images

Graph the image of the given figure across the mirror line.



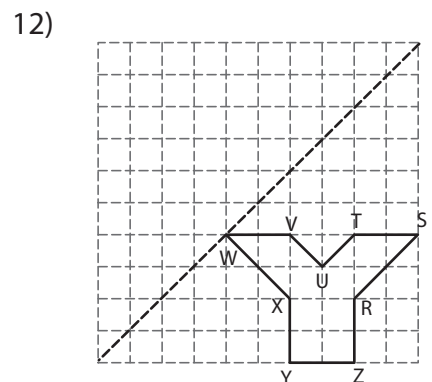
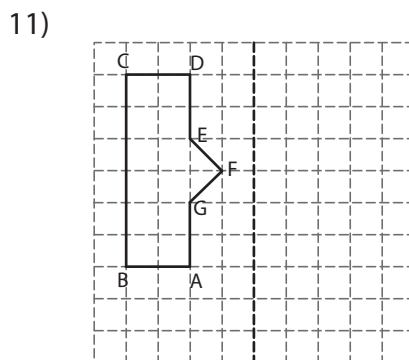
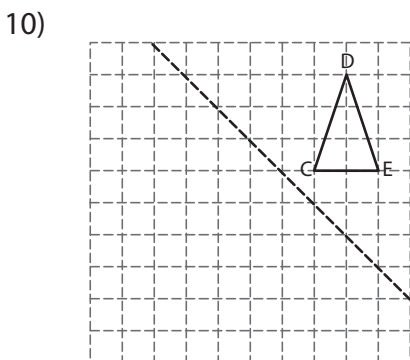
PREVIEW

Gain complete access to the largest collection of worksheets in all subjects!

Members, please log in to download this worksheet.

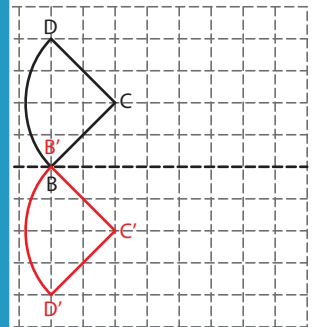
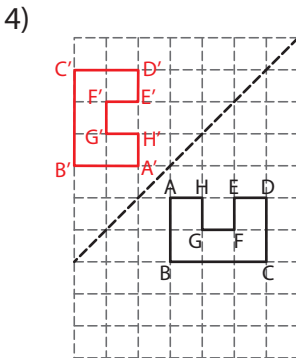
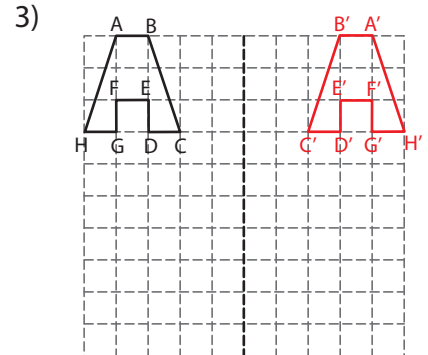
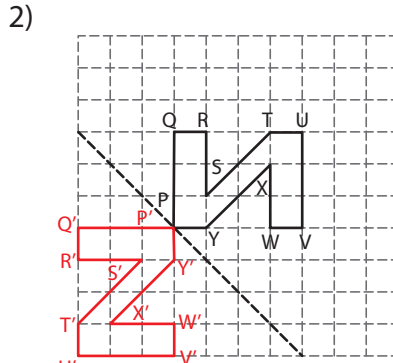
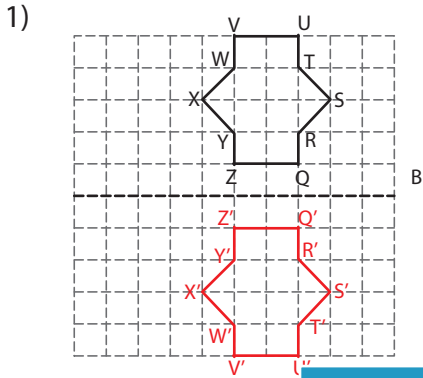
Not a member? Please sign up to gain complete access.

www.mathworksheets4kids.com



Mirror Images

Graph the image of the given figure across the mirror line.



PREVIEW

Gain complete access to the largest collection of worksheets in all subjects!

Members, please log in to download this worksheet.

Not a member? Please sign up to gain complete access.

www.mathworksheets4kids.com

