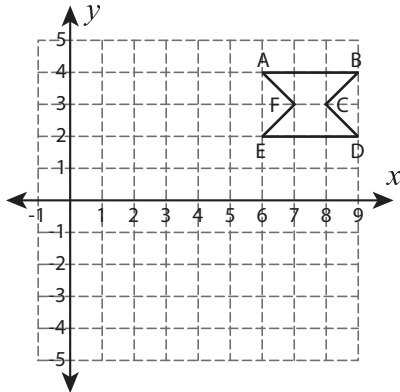


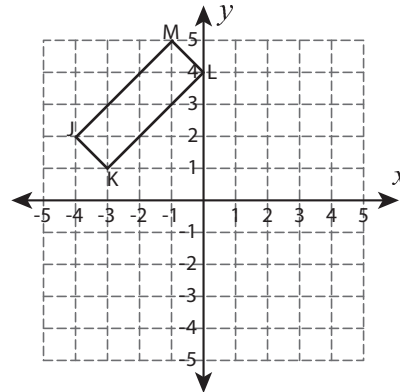
Reflect the Shapes

Graph the image of each shape after the given reflection.

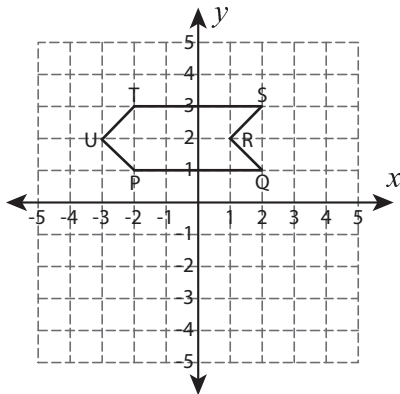
1) Reflection across the line $x = 4$



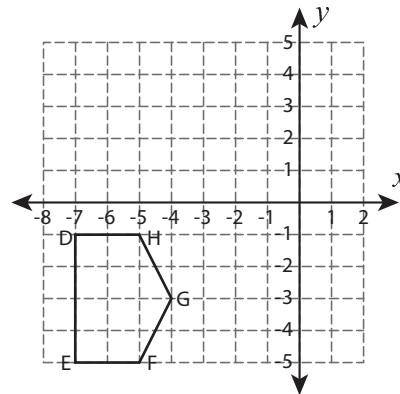
2) Reflection across the line $y = x$



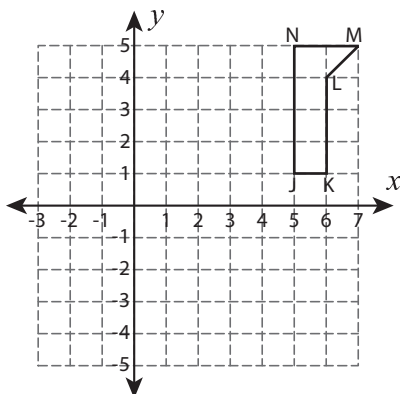
3) Reflection across the line $y = -1$



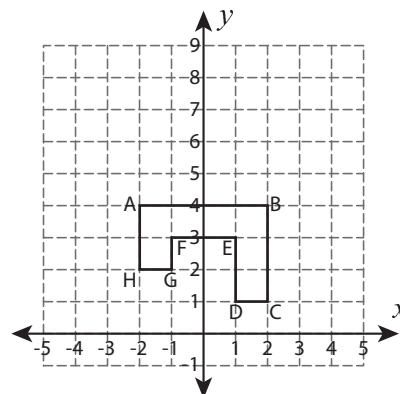
4) Reflection across the line $x = -3$



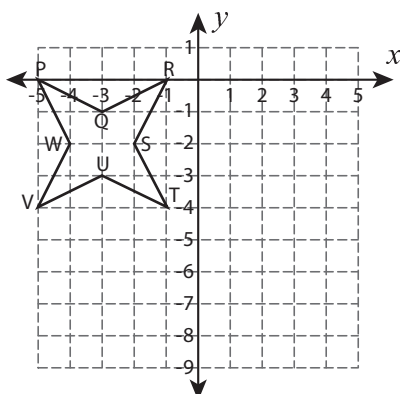
5) Reflection across the line $x = 2$



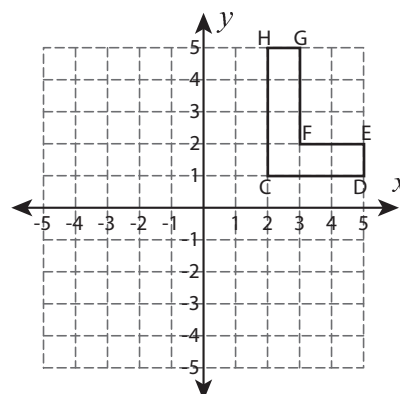
6) Reflection across the line $y = 5$



7) Reflection across the line $y = -4$



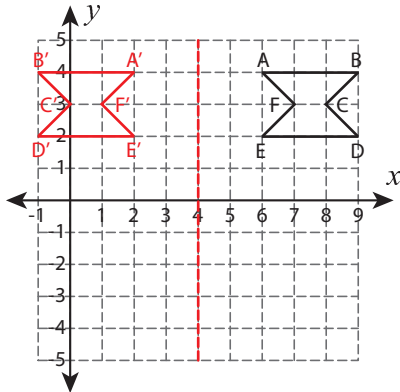
8) Reflection across the x-axis



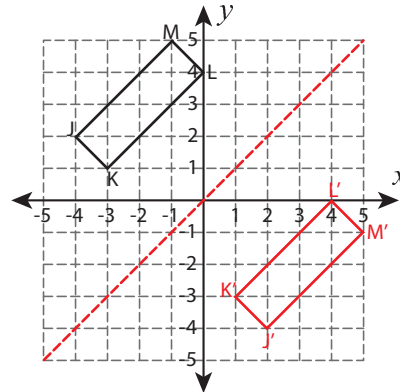
Reflect the Shapes

Graph the image of each shape after the given reflection.

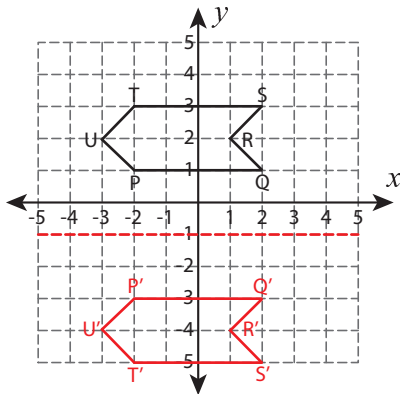
1) Reflection across the line $x = 4$



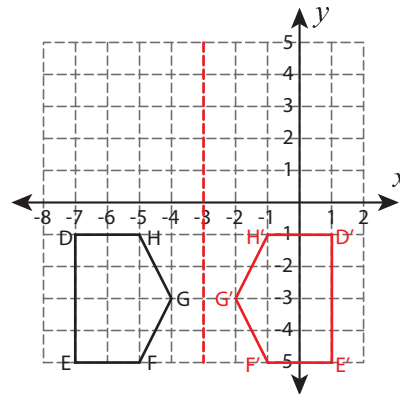
2) Reflection across the line $y = x$



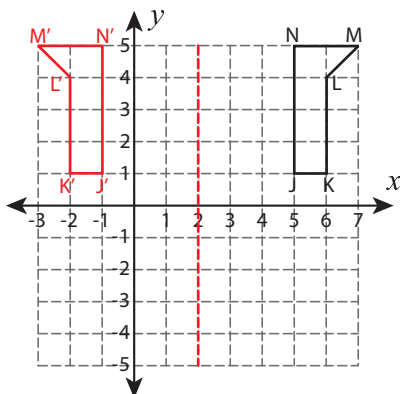
3) Reflection across the line $y = -1$



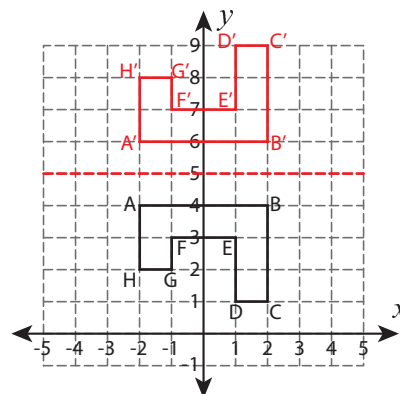
4) Reflection across the line $x = -3$



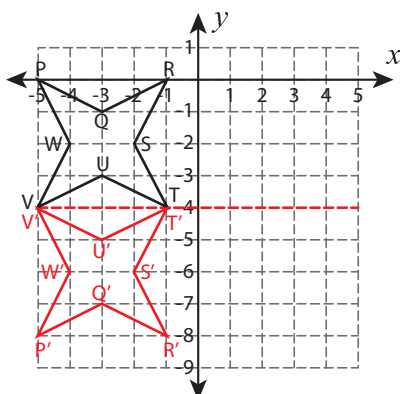
5) Reflection across the line $x = 2$



6) Reflection across the line $y = 5$



7) Reflection across the line $y = -4$



8) Reflection across the x-axis

