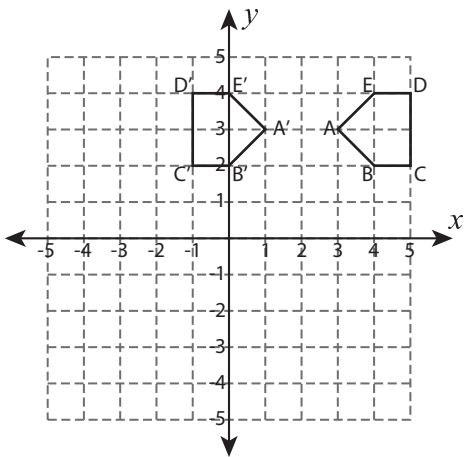


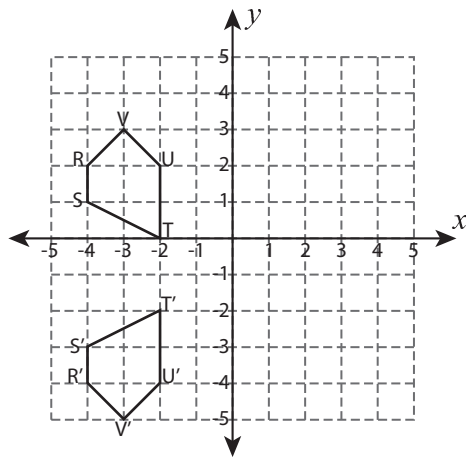
Reflection of Shapes

Write a rule to describe each reflection.

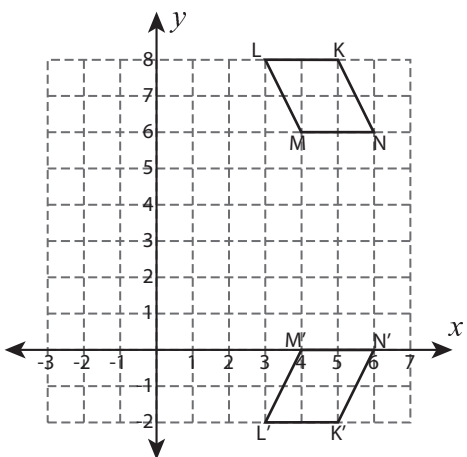
1)



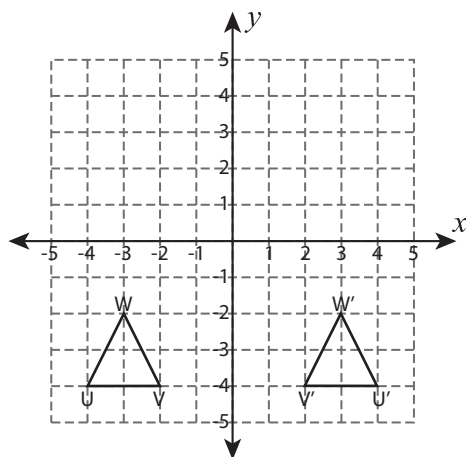
2)



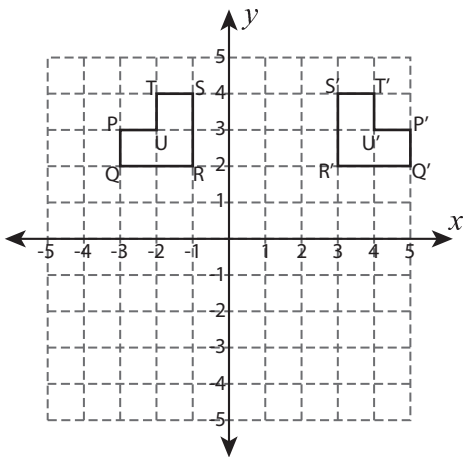
3)



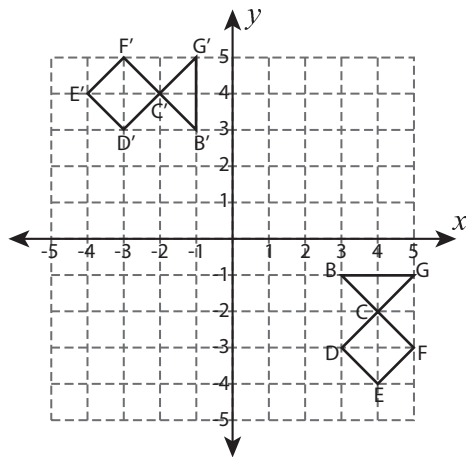
4)



5)



6)

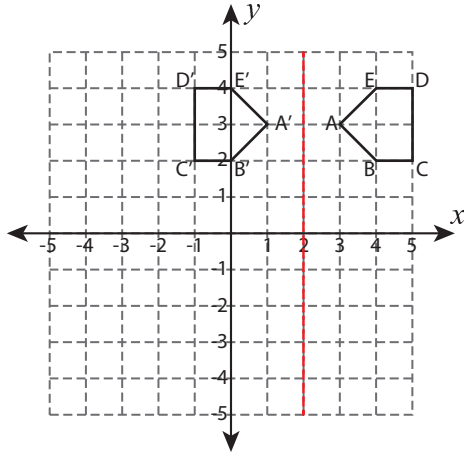


Answer key

Reflection of Shapes

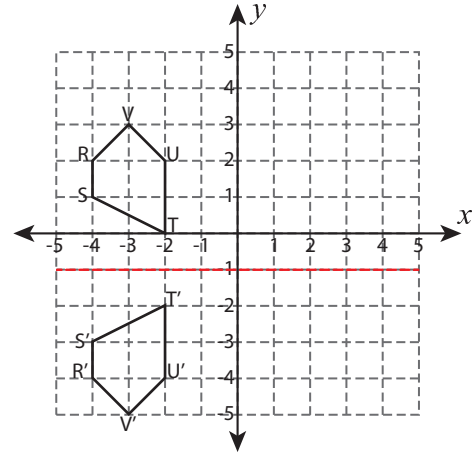
Write a rule to describe each reflection.

1)



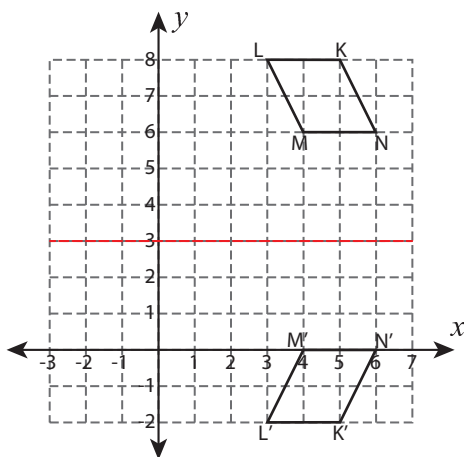
Reflection across the line $x = 2$

2)



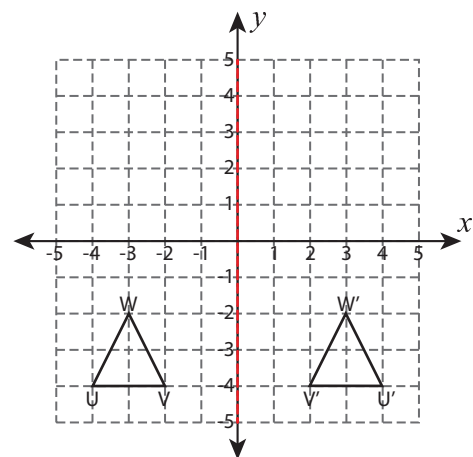
Reflection across the line $y = -1$

3)



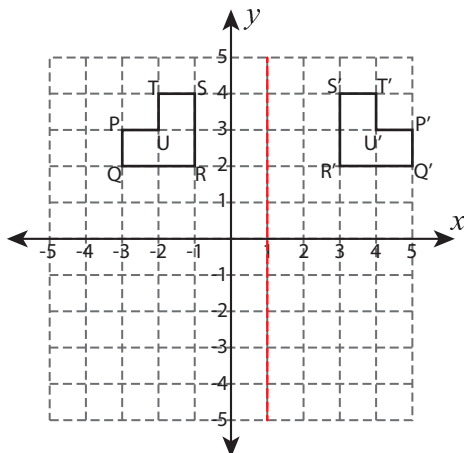
Reflection across the line $y = 3$

4)



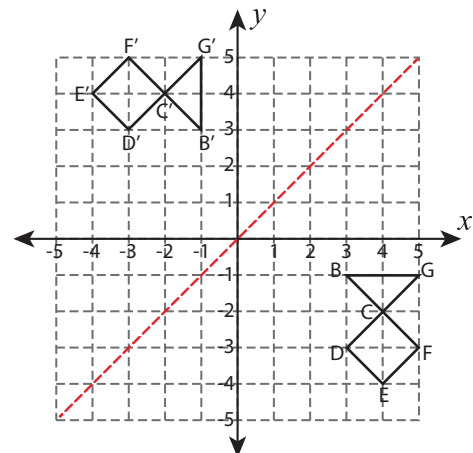
Reflection across the y-axis

5)



Reflection across the line $x = 1$

6)



Reflection across the line $y = x$