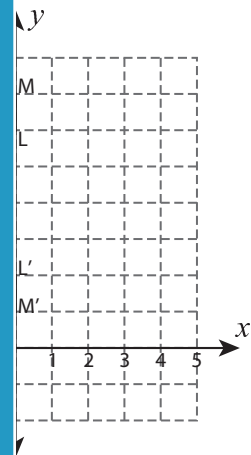
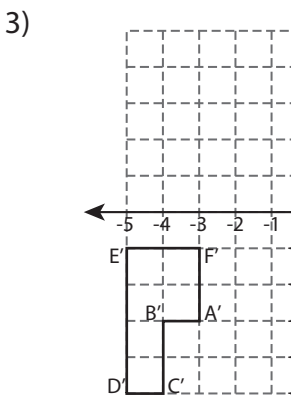
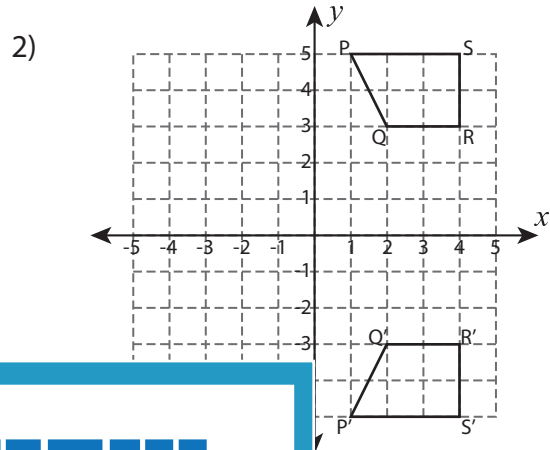
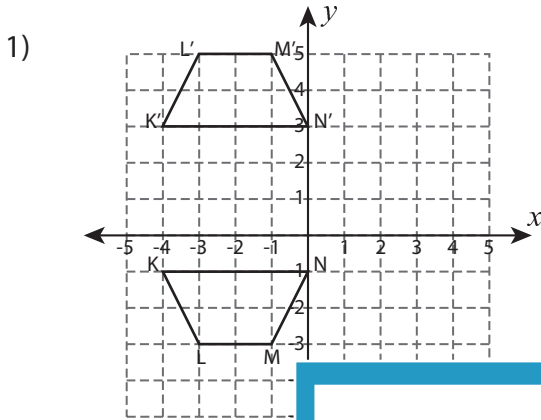


# Reflection of Shapes

Write a rule to describe each reflection.



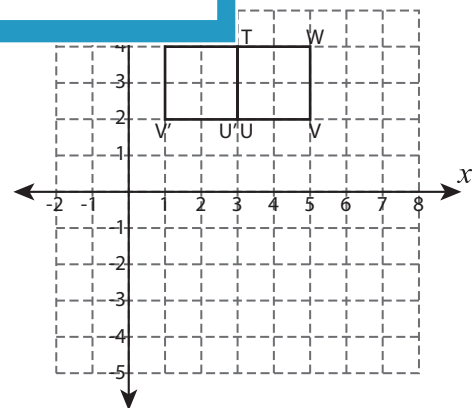
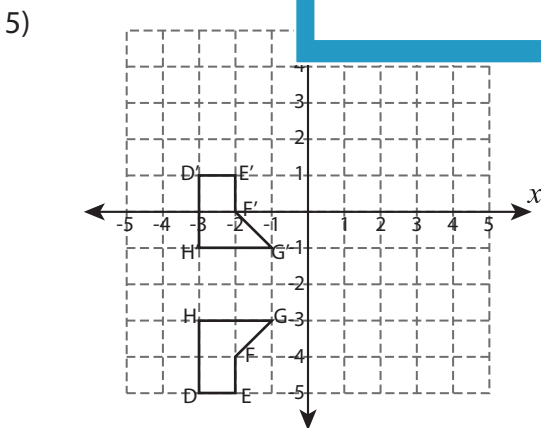
## PREVIEW

Gain complete access to the largest collection of worksheets in all subjects!

Members, please log in to download this worksheet.

Not a member? Please sign up to gain complete access.

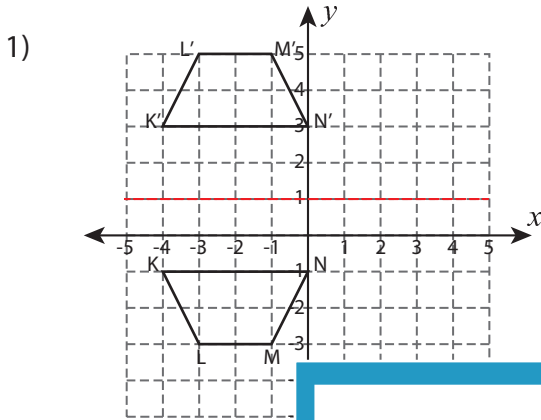
[www.mathworksheets4kids.com](http://www.mathworksheets4kids.com)



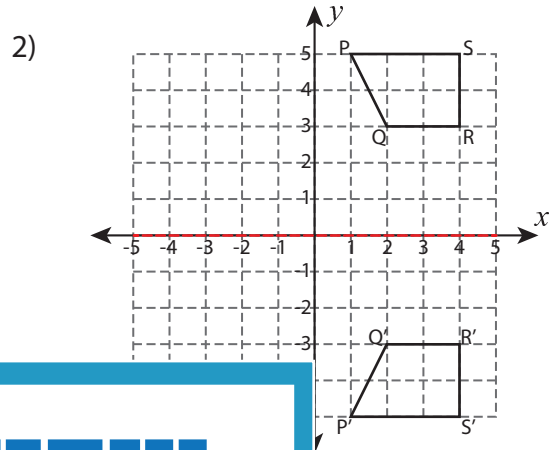
**Answer key**

**Reflection of Shapes**

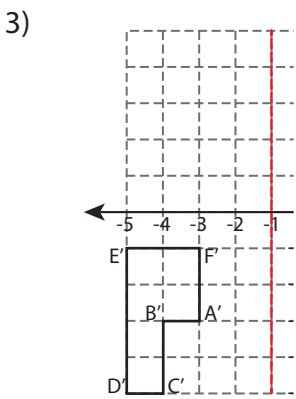
Write a rule to describe each reflection.



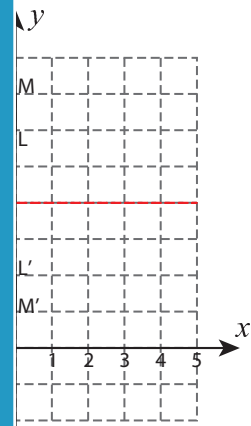
Reflection across the line  $y = 1$



Reflection across the line  $y = -1$



Reflection across the line  $x = -1$



Reflection across the line  $y = 4$

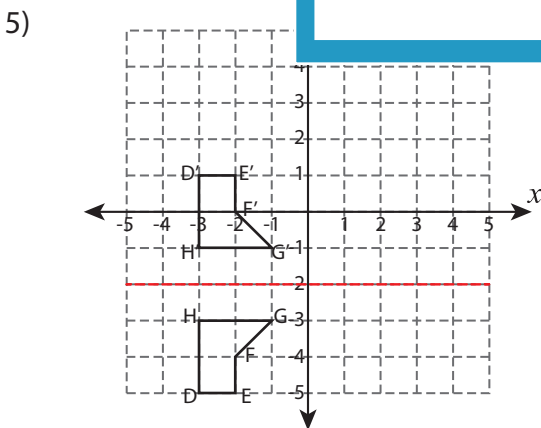
**PREVIEW**

Gain complete access to the largest collection of worksheets in all subjects!

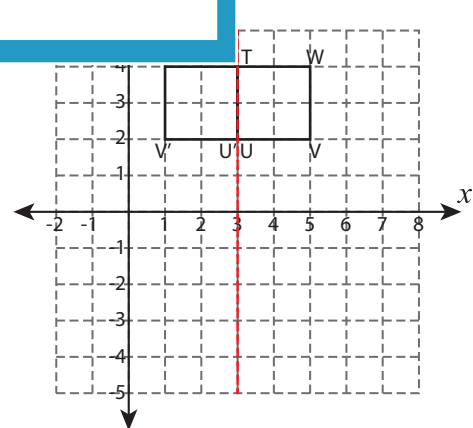
Members, please log in to download this worksheet.

Not a member? Please sign up to gain complete access.

[www.mathworksheets4kids.com](http://www.mathworksheets4kids.com)



Reflection across the line  $y = -2$



Reflection across the line  $x = 3$