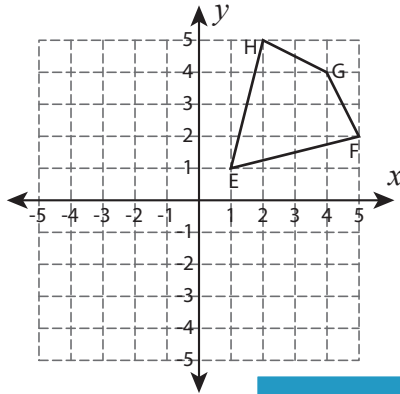


**Write the New Coordinates**

Graph the image of each figure after rotating it about the origin. Also write the coordinates of the image.

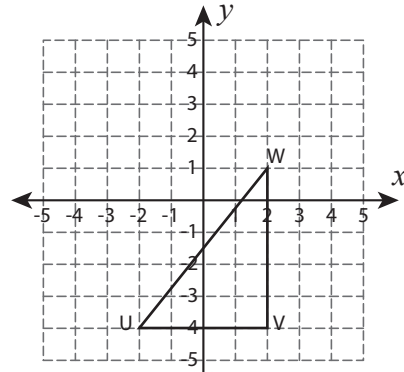
1) 90° counterclockwise rotation



E' : \_\_\_\_\_ , F' : \_\_\_\_\_

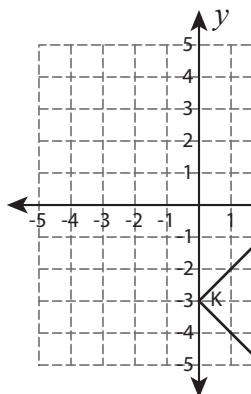
G' : \_\_\_\_\_ , H' : \_\_\_\_\_

2) 90° clockwise rotation



V' : \_\_\_\_\_

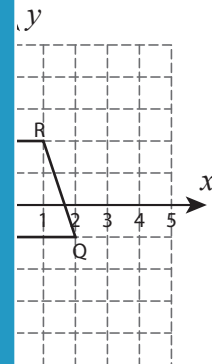
3) 180° rotation



K' : \_\_\_\_\_ , L' : \_\_\_\_\_

M' : \_\_\_\_\_ , N' : \_\_\_\_\_

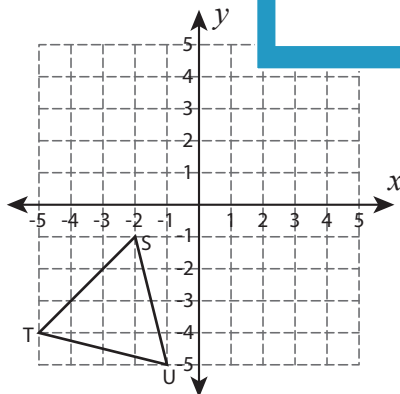
4) 90° clockwise rotation



Q' : \_\_\_\_\_

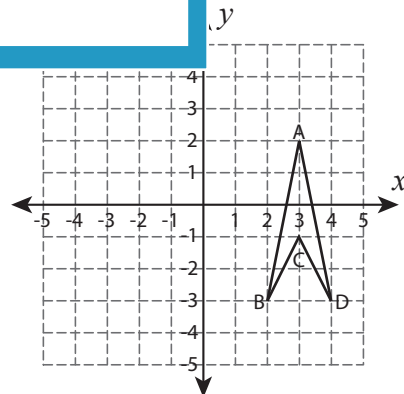
S' : \_\_\_\_\_

5) 90° clockwise rotation



S' : \_\_\_\_\_ , T' : \_\_\_\_\_

U' : \_\_\_\_\_



A' : \_\_\_\_\_ , B' : \_\_\_\_\_

C' : \_\_\_\_\_ , D' : \_\_\_\_\_

**PREVIEW**

Gain complete access to the largest collection of worksheets in all subjects!

Members, please log in to download this worksheet.

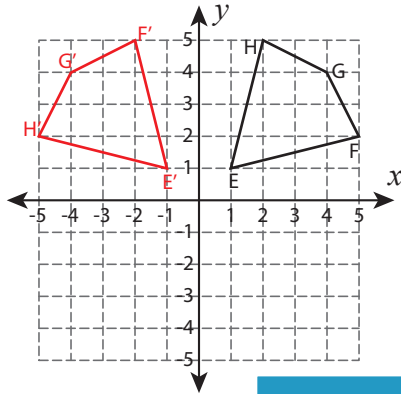
Not a member? Please sign up to gain complete access.

[www.mathworksheets4kids.com](http://www.mathworksheets4kids.com)

**Write the New Coordinates**

Graph the image of each figure after rotating it about the origin. Also write the coordinates of the image.

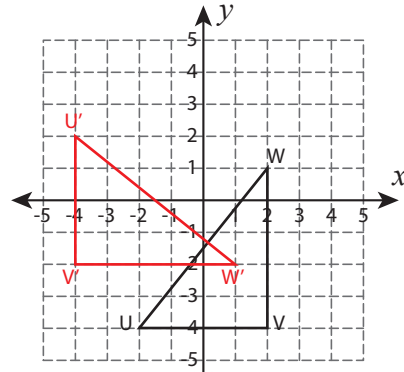
1) 90° counterclockwise rotation



E' : (-1, 1) , F' : \_\_\_\_\_

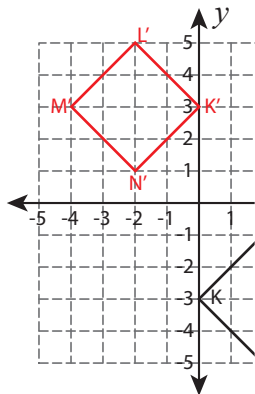
G' : (-4, 4) , H' : \_\_\_\_\_

2) 90° clockwise rotation



V' : (-4, -2)

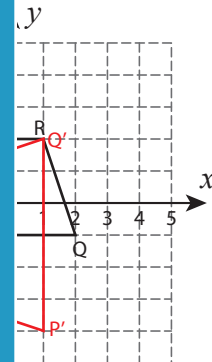
3) 180° rotation



K' : (0, 3) , L' : \_\_\_\_\_

M' : (-4, 3) , N' : \_\_\_\_\_

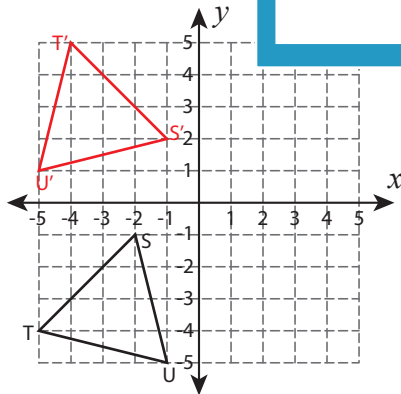
4) 90° clockwise rotation



Q' : (1, 2)

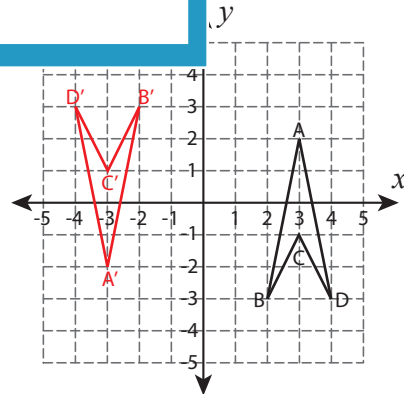
S' : (-2, -3)

5) 90° clockwise rotation



S' : (-1, 2) , T' : (-4, 5)

U' : (-5, 1)



A' : (-3, -2) , B' : (-2, 3)

C' : (-3, 1) , D' : (-4, 3)

**PREVIEW**

Gain complete access to the largest collection of worksheets in all subjects!

Members, please log in to download this worksheet.

Not a member? Please sign up to gain complete access.

[www.mathworksheets4kids.com](http://www.mathworksheets4kids.com)