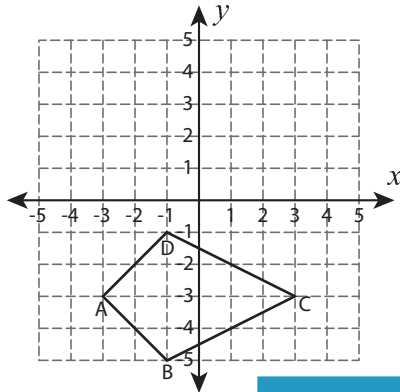


Write the New Coordinates

Graph the image of each figure after rotating it about the origin. Also write the coordinates of the image.

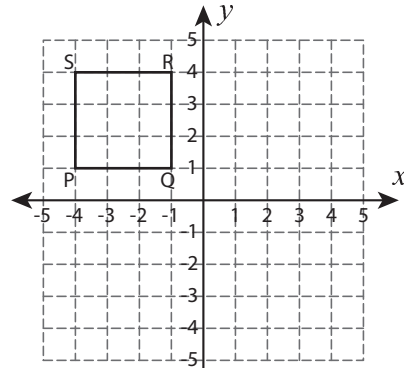
1) 90° clockwise rotation



A' : _____ , B' : _____

C' : _____ , D' : _____

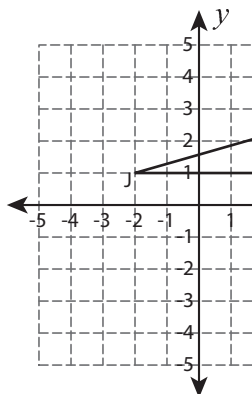
2) 180° rotation



Q' : _____

S' : _____

3) 90° counterclockwise



J' : _____ , K' : _____

L' : _____

PREVIEW

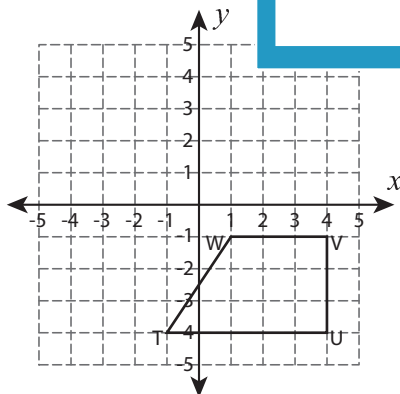
Gain complete access to the largest collection of worksheets in all subjects!

Members, please log in to download this worksheet.

Not a member? Please sign up to gain complete access.

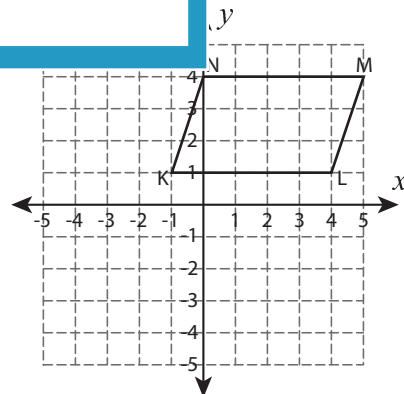
www.mathworksheets4kids.com

5) 180° rotation



T' : _____ , U' : _____

V' : _____ , W' : _____



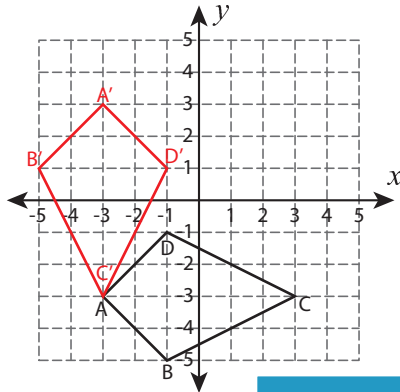
K' : _____ , L' : _____

M' : _____ , N' : _____

Write the New Coordinates

Graph the image of each figure after rotating it about the origin. Also write the coordinates of the image.

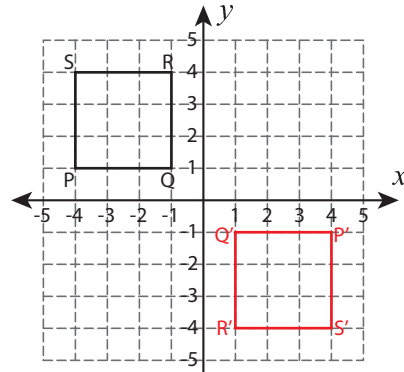
1) 90° clockwise rotation



A' : (-3, 3) , B' : _____

C' : (-3, -3) , D' : _____

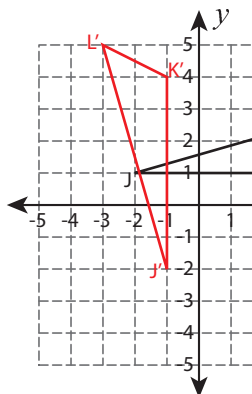
2) 180° rotation



Q' : (1, -1)

S' : (4, -4)

3) 90° counterclockwise



J' : (-1, -2) , K' : _____

L' : (-3, 5)

PREVIEW

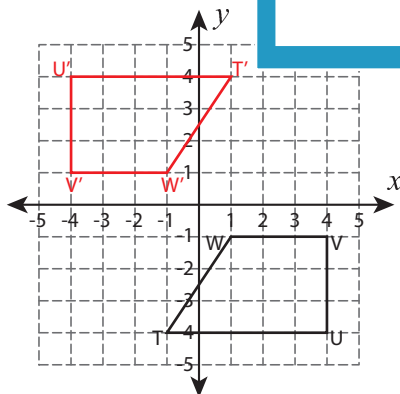
Gain complete access to the largest collection of worksheets in all subjects!

Members, please log in to download this worksheet.

Not a member? Please sign up to gain complete access.

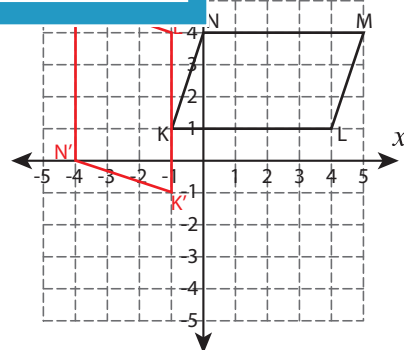
www.mathworksheets4kids.com

5) 180° rotation



T' : (1, 4) , U' : (-4, 4)

V' : (-4, 1) , W' : (-1, 1)



K' : (-1, -1) , L' : (-1, 4)

M' : (-4, 5) , N' : (-4, 0)