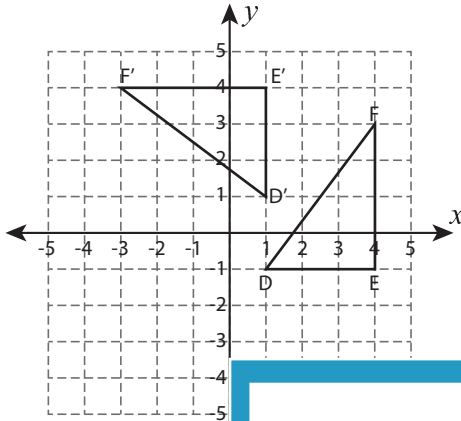


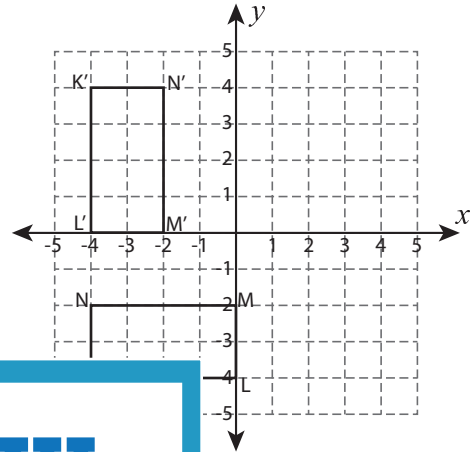
# Rotation of Shapes

Write a rule to describe each rotation.

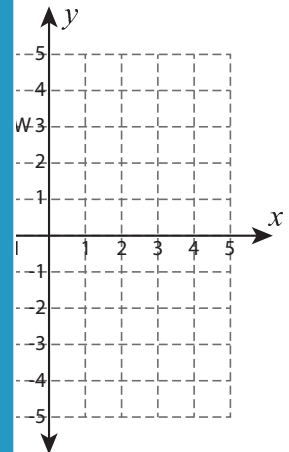
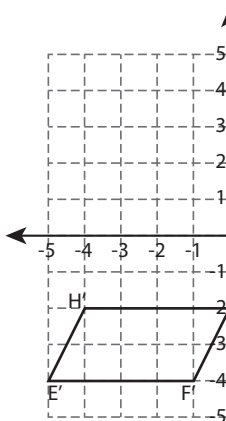
1)



2)



3)



## PREVIEW

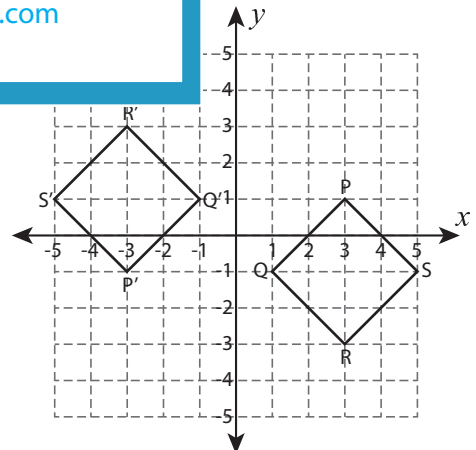
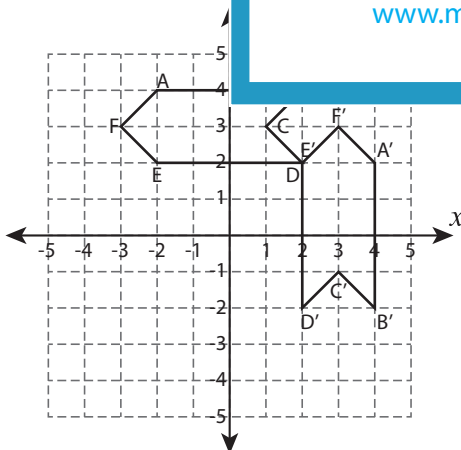
Gain complete access to the largest collection of worksheets in all subjects!

Members, please log in to download this worksheet.

Not a member? Please sign up to gain complete access.

[www.mathworksheets4kids.com](http://www.mathworksheets4kids.com)

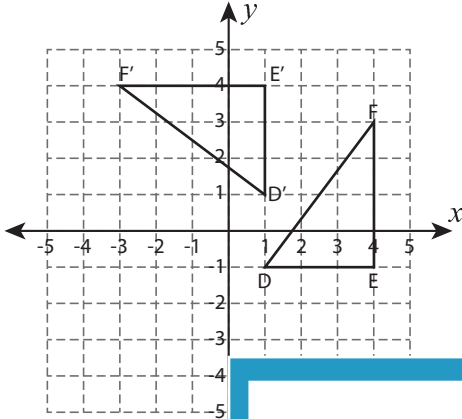
5)



**Rotation of Shapes**

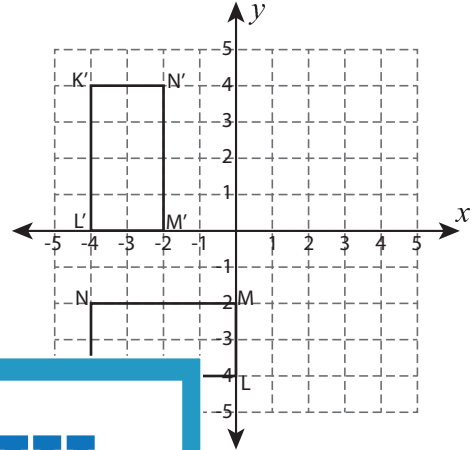
Write a rule to describe each rotation.

1)



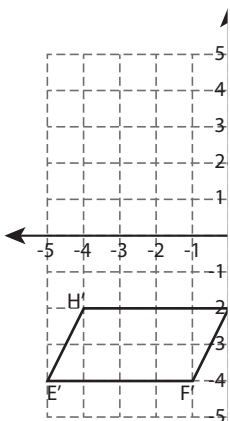
90° counterclockwise rotation about the origin

2)

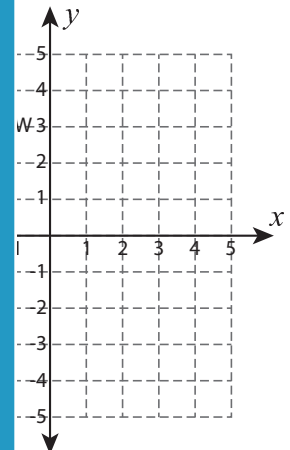


90° clockwise rotation about the origin

3)

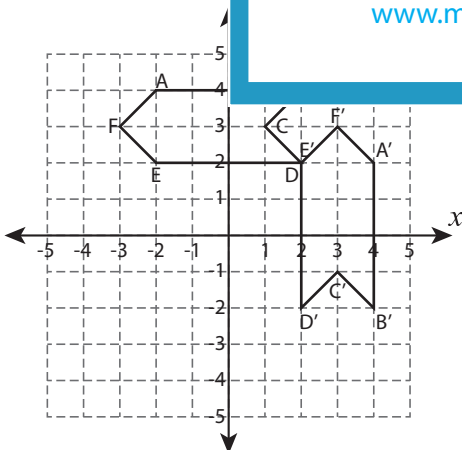


180° rotation about the origin

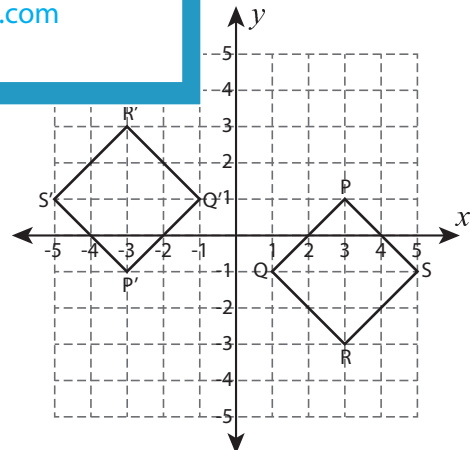


180° rotation about the origin

5)



90° clockwise rotation about the origin



180° rotation about the origin

**PREVIEW**

Gain complete access to the largest collection of worksheets in all subjects!

Members, please log in to download this worksheet.

Not a member? Please sign up to gain complete access.

[www.mathworksheets4kids.com](http://www.mathworksheets4kids.com)