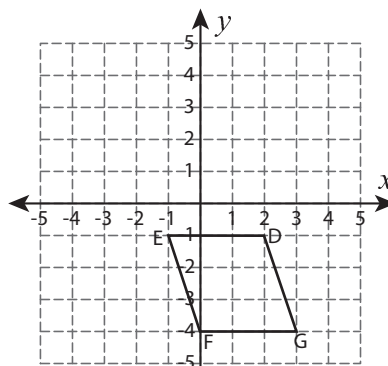
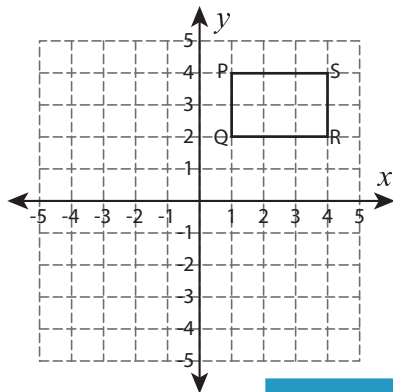


Write the New Coordinates

Graph the image of each figure after the given transformation. Also write the coordinates of the image.

1) Translate 5 units left and 4 units down

2) 180° rotation about the origin



P' : _____ , Q' : _____

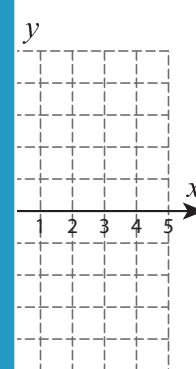
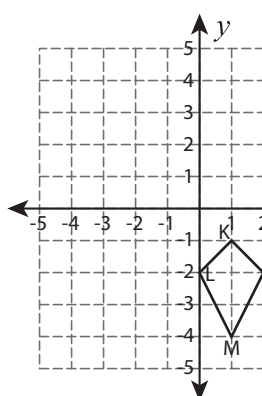
E' : _____

R' : _____ , S' : _____

G' : _____

3) Reflection across the line $y = 2$

4) Translate 2 units down and 3 units right



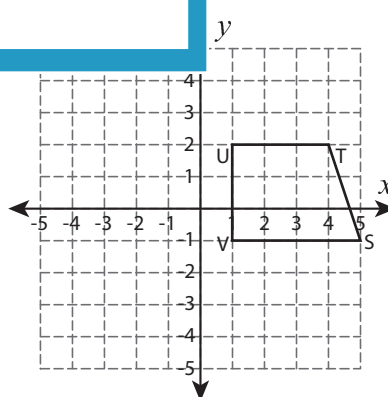
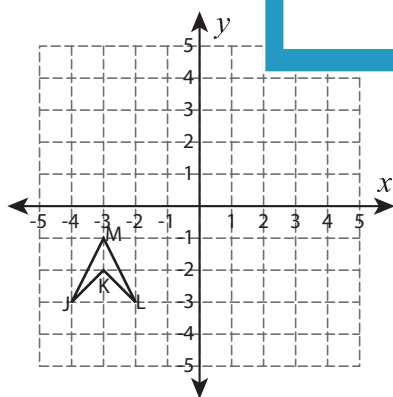
K' : _____ , L' : _____

B' : _____

M' : _____ , N' : _____

5) 90° counterclockwise rotation about the origin

6) Reflection across the line $y = 2$



J' : _____ , K' : _____

S' : _____ , T' : _____

L' : _____ , M' : _____

U' : _____ , V' : _____

PREVIEW

Access the largest collection of worksheets for just **\$19.95** per year!

Members, please log in to download this worksheet.

Log in

Not a member? Please sign up to gain complete access.

Sign up

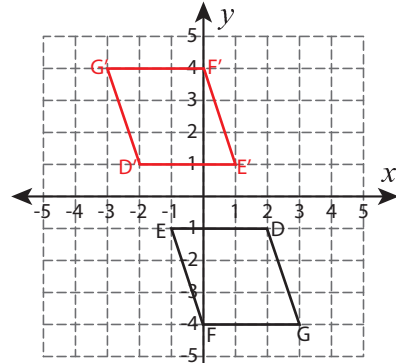
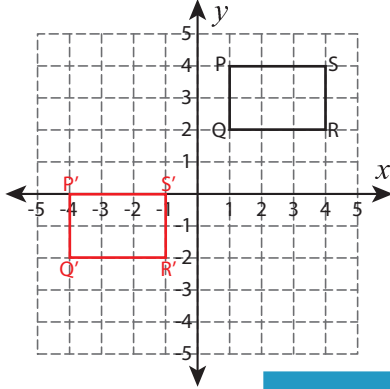
www.mathworksheets4kids.com

Write the New Coordinates

Graph the image of each figure after the given transformation. Also write the coordinates of the image.

1) Translate 5 units left and 4 units down

2) 180° rotation about the origin



P' : (-4, 0) , Q' : _____

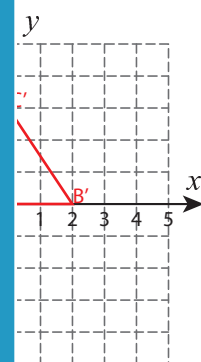
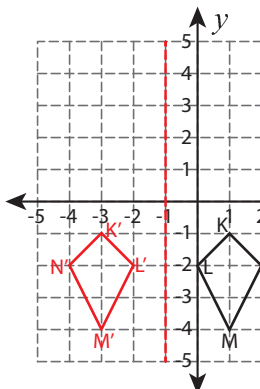
R' : (-1, -2) , S' : _____

E' : (1, 1)

G' : (-3, 4)

3) Reflection across the line x = -2

4) Translation 2 units down and 3 units right



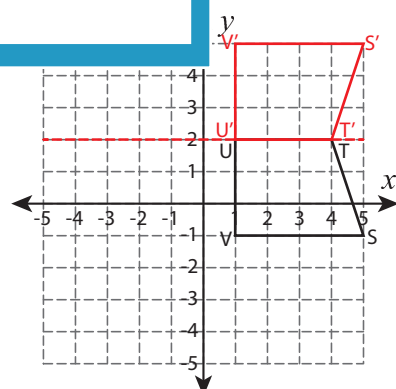
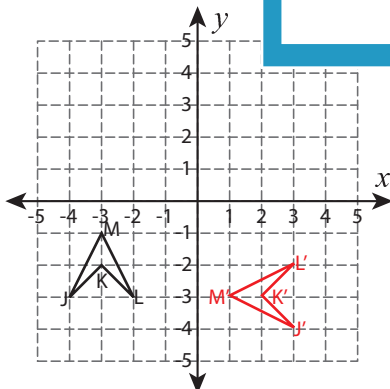
K' : (-3, -1) , L' : _____

M' : (-3, -4) , N' : _____

B' : (2, 0)

5) 90° counterclockwise rotation about the origin

6) Reflection across the line y = 2



J' : (3, -4) , K' : (2, -3)

L' : (3, -2) , M' : (1, -3)

S' : (5, 5) , T' : (4, 2)

U' : (1, 2) , V' : (1, 5)

PREVIEW

Access the largest collection of
worksheets for just **\$19.95** per year!

Members, please
log in to
download this
worksheet.

Log in

Not a member?
Please sign up to
gain complete
access.

Sign up

www.mathworksheets4kids.com