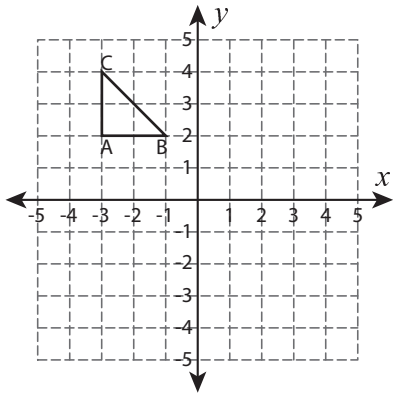


Write the New Coordinates

Graph the image of each figure after the given translation. Also write the coordinates of the image.

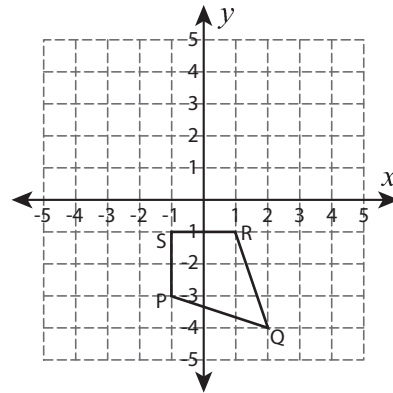
1) 1 unit down and 4 units right



A': _____, B': _____

C': _____

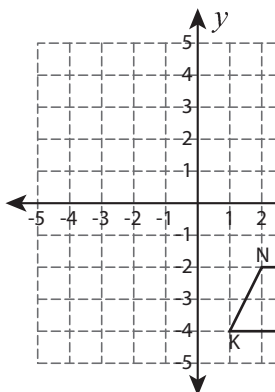
2) 2 units right and 5 units up



Q': _____

S': _____

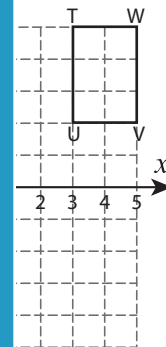
3) 6 units up and 6 units



K': _____, L': _____

M': _____, N': _____

units down



J': _____

I': _____

PREVIEW

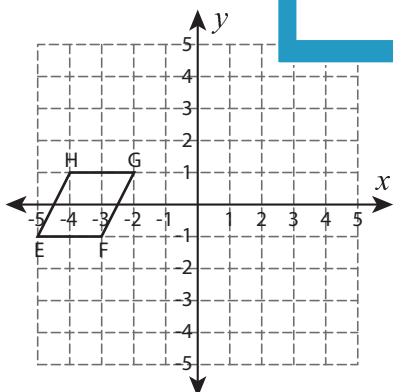
Gain complete access to the largest collection of worksheets in all subjects!

Members, please log in to download this worksheet.

Not a member? Please sign up to gain complete access.

www.mathworksheets4kids.com

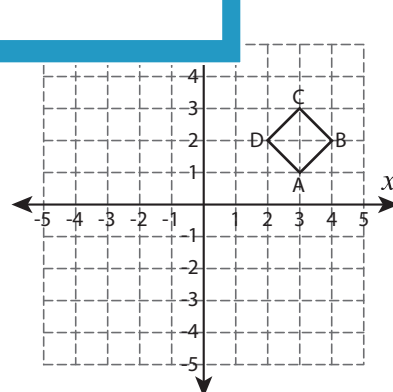
5) 7 units right



E': _____, F': _____

G': _____, H': _____

6 units left



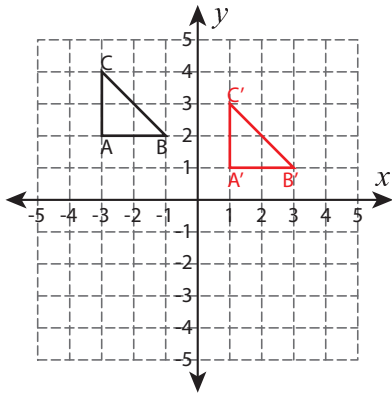
A': _____, B': _____

C': _____, D': _____

Write the New Coordinates

Graph the image of each figure after the given translation. Also write the coordinates of the image.

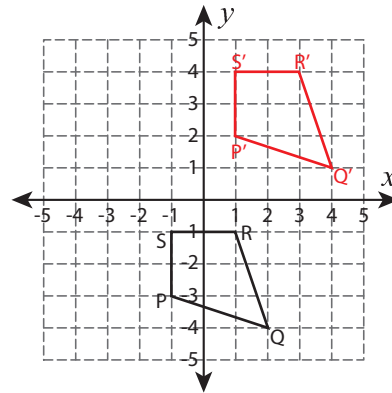
1) 1 unit down and 4 units right



A': (1, 1) , B': _____

C': (1, 3)

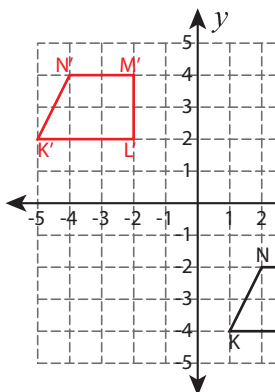
2) 2 units right and 5 units up



Q': (4, 1)

S': (1, 4)

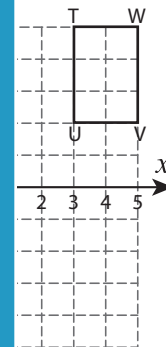
3) 6 units up and 6 units



K': (-5, 2) , L': _____

M': (-2, 4) , N': _____

units down



J': (-5, -5)

I': (-3, -2)

PREVIEW

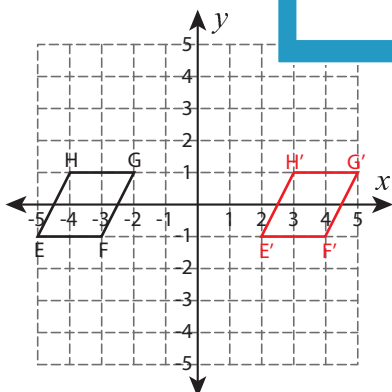
Gain complete access to the largest collection of worksheets in all subjects!

Members, please log in to download this worksheet.

Not a member? Please sign up to gain complete access.

www.mathworksheets4kids.com

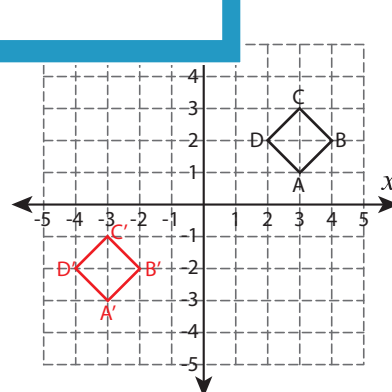
5) 7 units right



E': (2, -1) , F': (4, -1)

G': (5, 1) , H': (3, 1)

6 units left



A': (-3, -3) , B': (-2, -2)

C': (-3, -1) , D': (-4, -2)