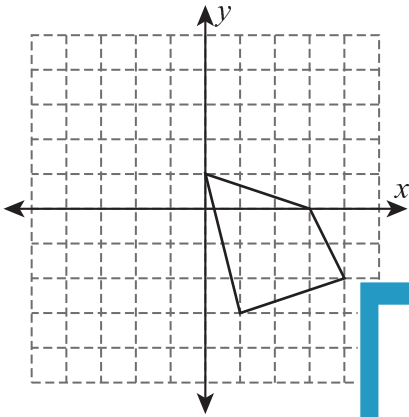


## Translation of Quadrilaterals

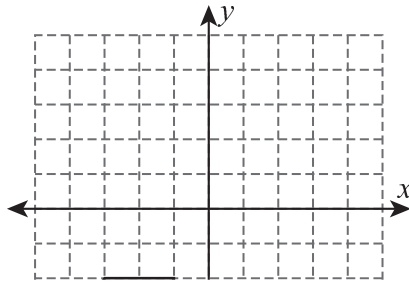
Sheet 1

Graph the image of each quadrilateral using the translation given.

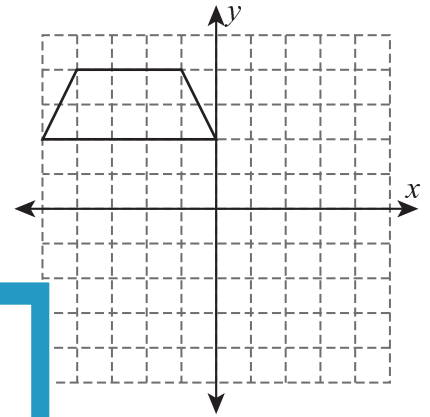
1) 3 units up and 5 units left



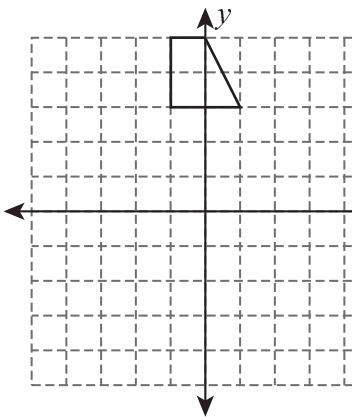
2) 6 units right and 4 units up



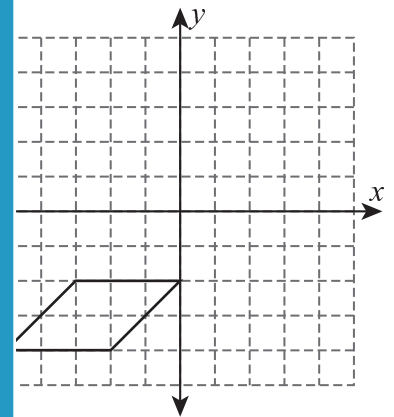
3) 7 units down and 2 units right



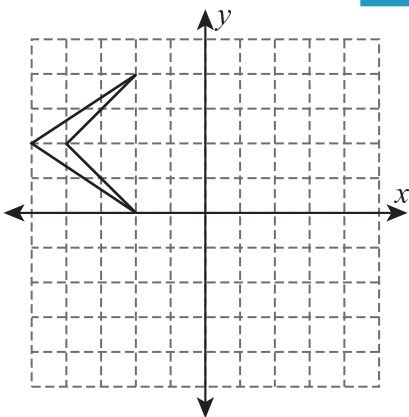
4) 8 units down



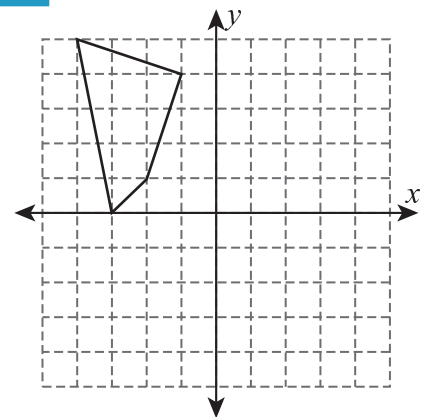
5) 3 units up and 4 units right



7) 4 units down and 7 units



8) 2 units right and 1 unit down



# PREVIEW

Gain complete access to the largest  
collection of worksheets in all subjects!

Members, please  
log in to  
download this  
worksheet.

Not a member?  
Please sign up to  
gain complete  
access.

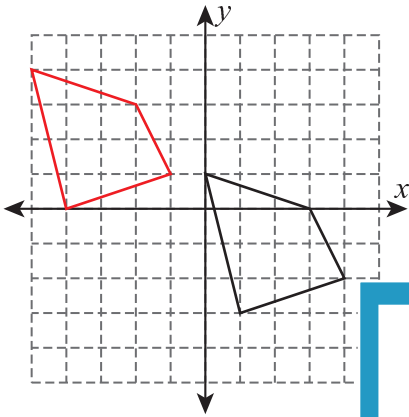
[www.mathworksheets4kids.com](http://www.mathworksheets4kids.com)

**Answer key**

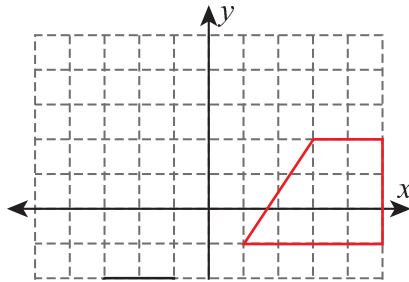
**Translation of Quadrilaterals**

Graph the image of each quadrilateral using the translation given.

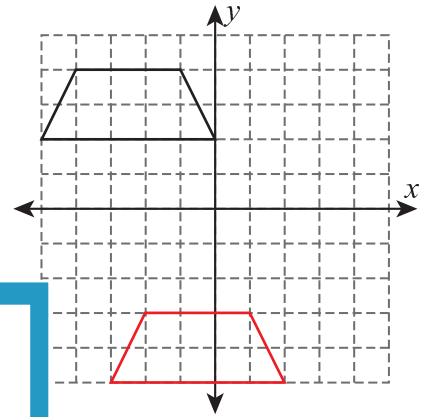
1) 3 units up and 5 units left



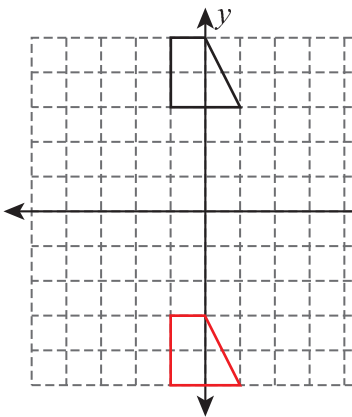
2) 6 units right and 4 units up



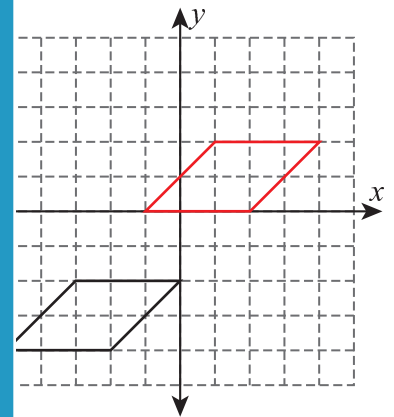
3) 7 units down and 2 units right



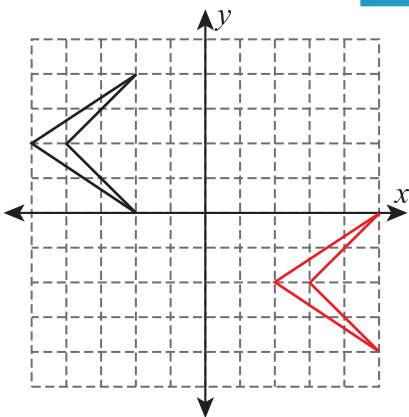
4) 8 units down



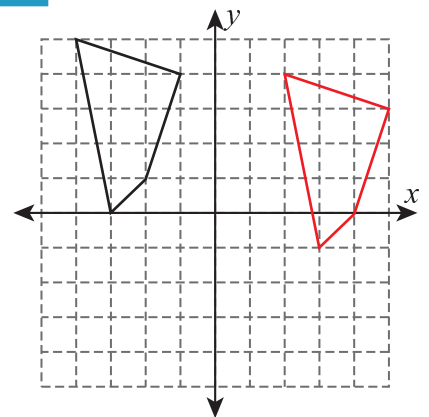
5) 3 units up and 4 units right



6) 4 units down and 7 units right



7) 2 units right and 1 unit down



**PREVIEW**

Gain complete access to the largest collection of worksheets in all subjects!

Members, please log in to download this worksheet.

Not a member? Please sign up to gain complete access.

[www.mathworksheets4kids.com](http://www.mathworksheets4kids.com)