

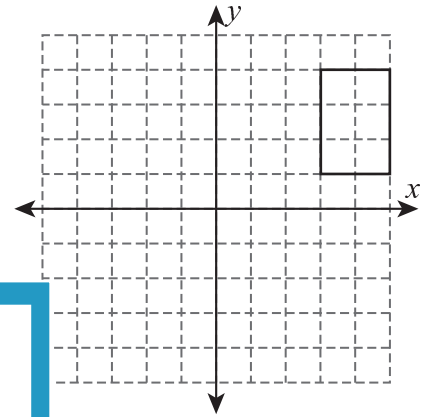
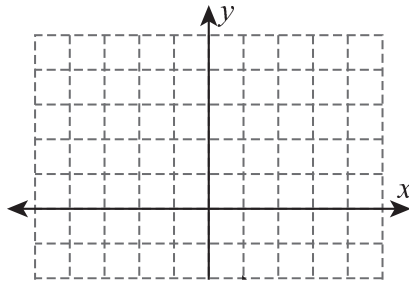
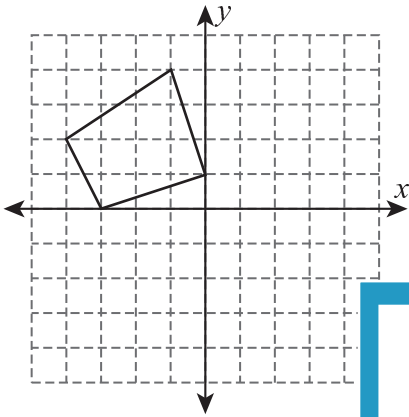
Translation of Quadrilaterals

Graph the image of each quadrilateral using the translation given.

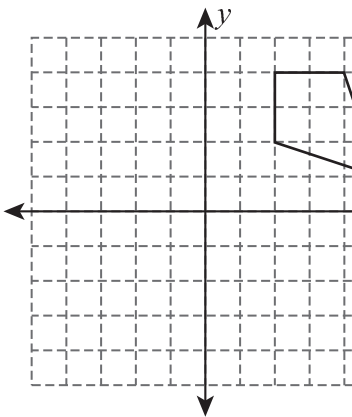
1) 2 units right and 3 units down

2) 5 units left and 7 units up

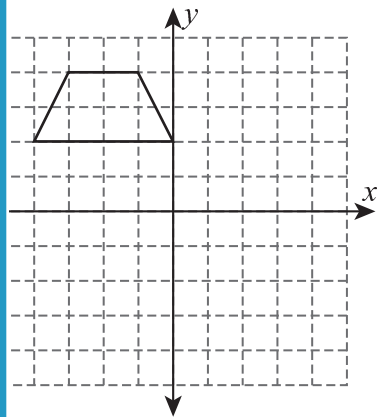
3) 4 units down and 2 units left



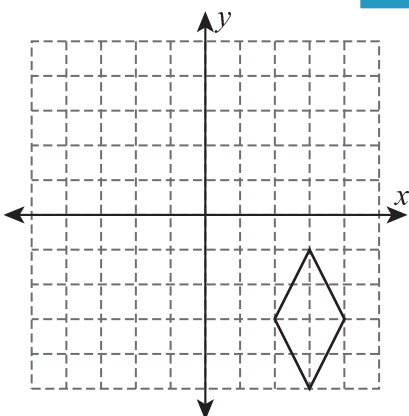
4) 1 unit up and 7 units left



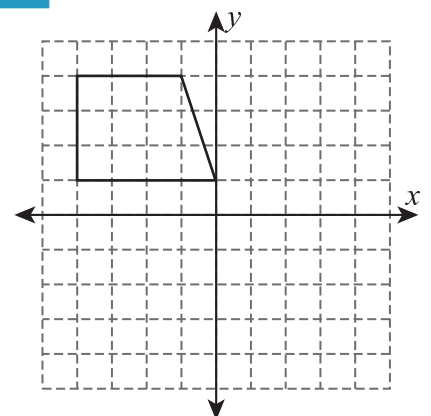
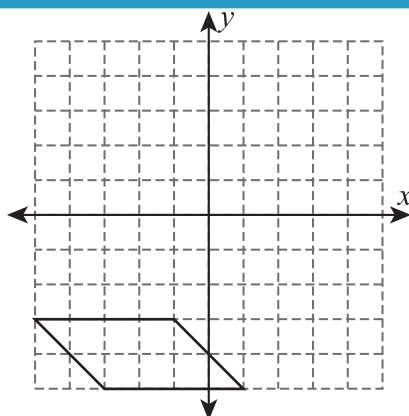
5) 2 units left and 5 units down



6) 6 units left and 2 units up



7) 3 units right



PREVIEW

Gain complete access to the largest collection of worksheets in all subjects!

Members, please log in to download this worksheet.

Not a member? Please sign up to gain complete access.

www.mathworksheets4kids.com

Answer key

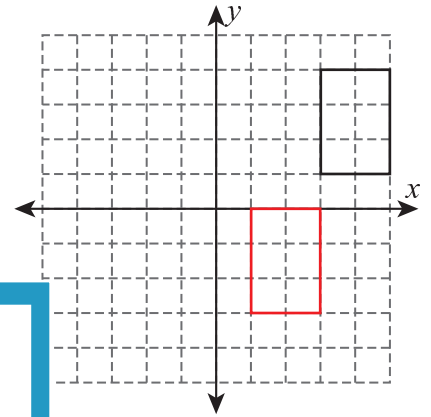
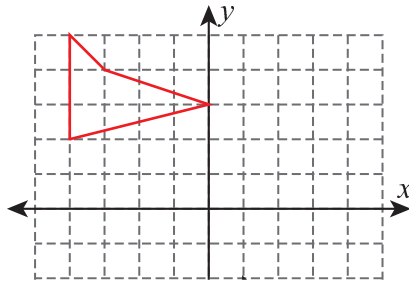
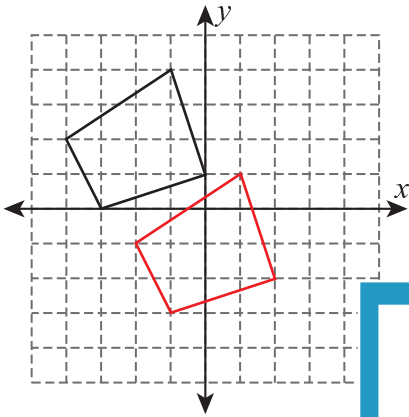
Translation of Quadrilaterals

Graph the image of each quadrilateral using the translation given.

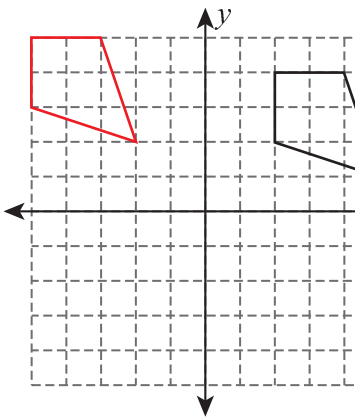
1) 2 units right and 3 units down

2) 5 units left and 7 units up

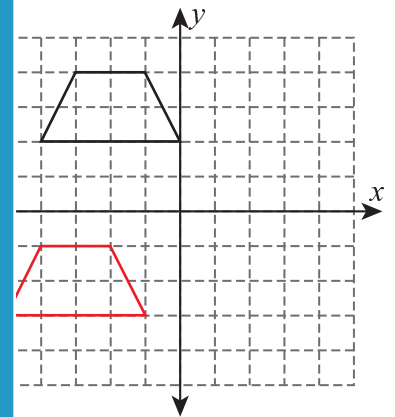
3) 4 units down and 2 units left



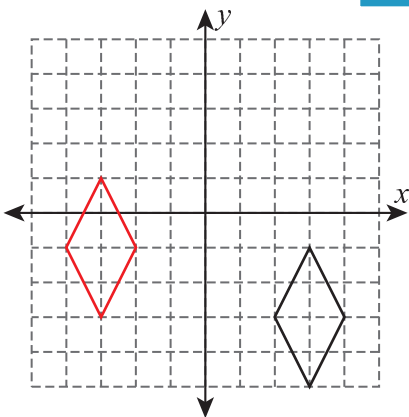
4) 1 unit up and 7 units left



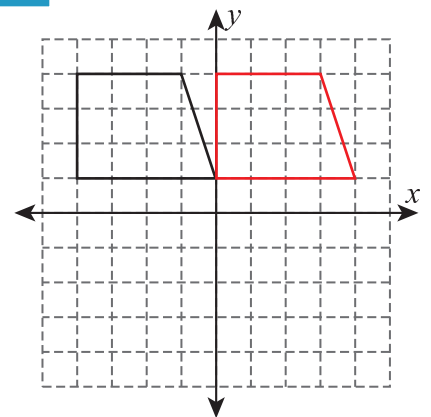
5) 3 units left and 5 units down



6) 6 units left and 2 units up



7) 3 units right



PREVIEW

Gain complete access to the largest collection of worksheets in all subjects!

Members, please log in to download this worksheet.

Not a member? Please sign up to gain complete access.

www.mathworksheets4kids.com