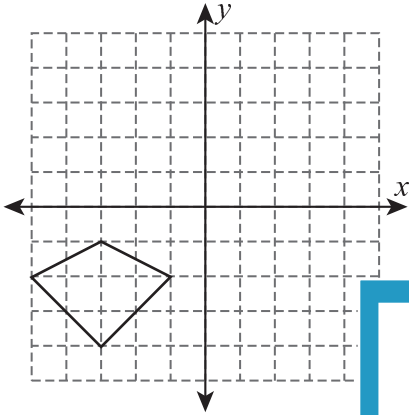


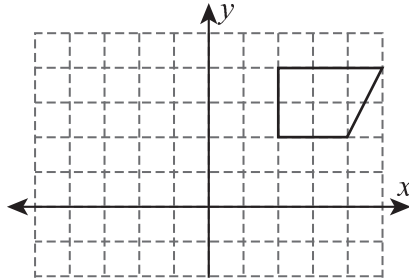
## Translation of Quadrilaterals

Graph the image of each quadrilateral using the translation given.

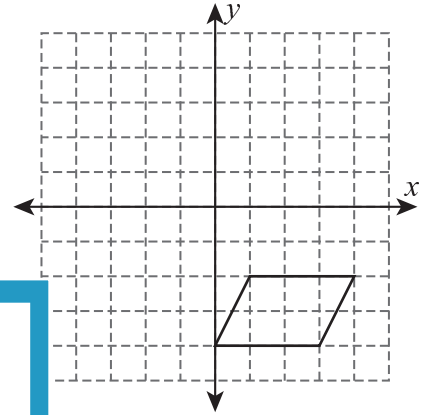
1) 5 units up and 4 units right



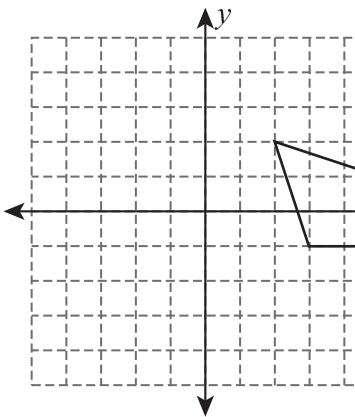
2) 7 units left



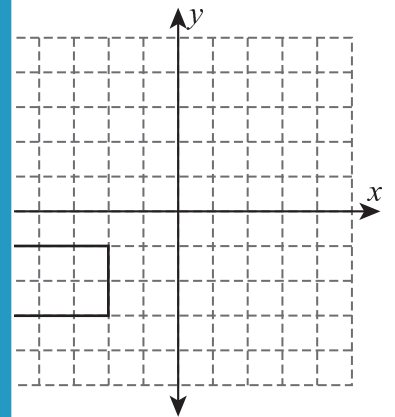
3) 1 unit up and 5 units left



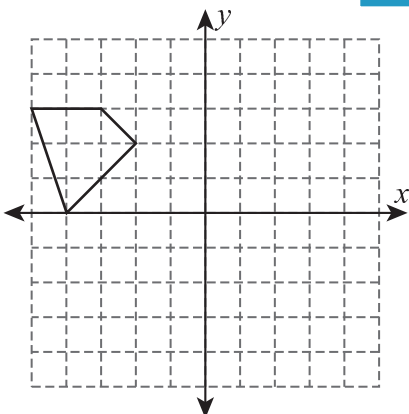
4) 6 units left and 3 units up



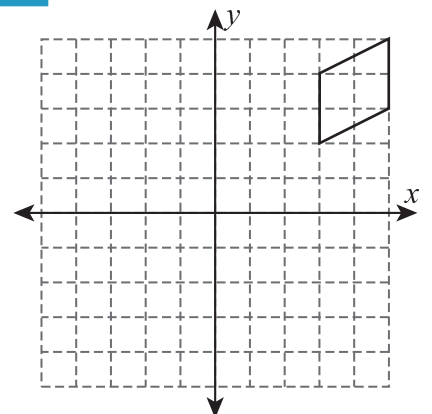
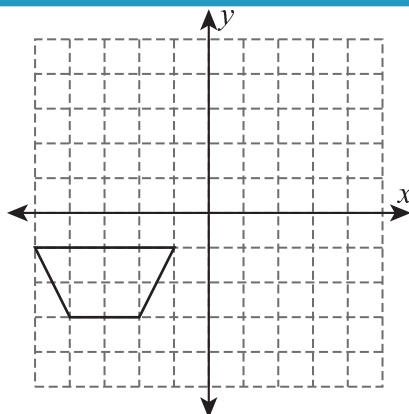
units right and 2 units up



7) 4 units down and 7 units



units left and 6 units down



# PREVIEW

Gain complete access to the largest collection of worksheets in all subjects!

Members, please log in to download this worksheet.

Not a member? Please sign up to gain complete access.

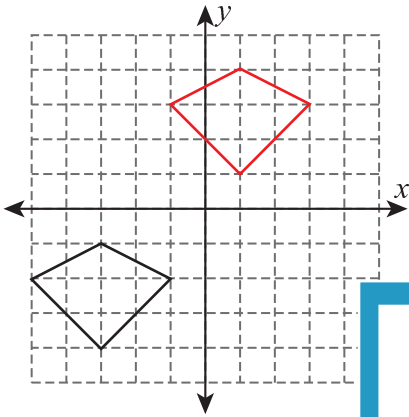
[www.mathworksheets4kids.com](http://www.mathworksheets4kids.com)

**Answer key****Translation of Quadrilaterals**

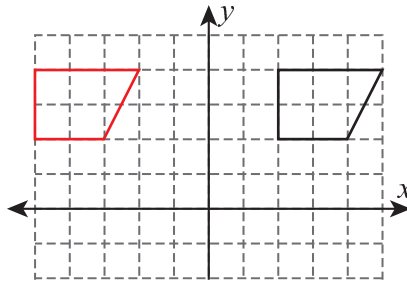
Sheet 3

Graph the image of each quadrilateral using the translation given.

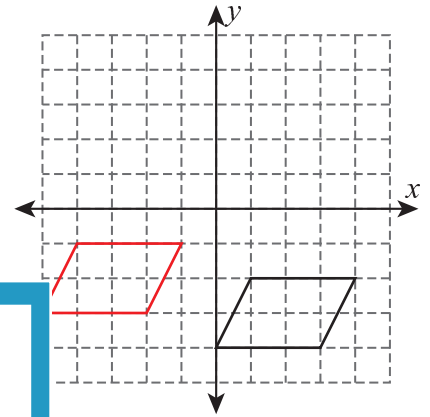
1) 5 units up and 4 units right



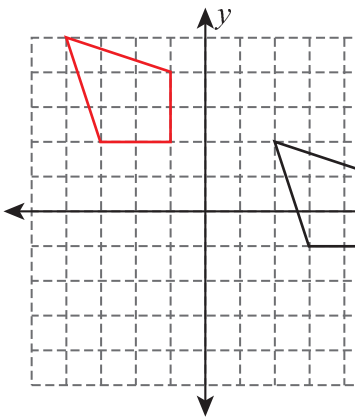
2) 7 units left



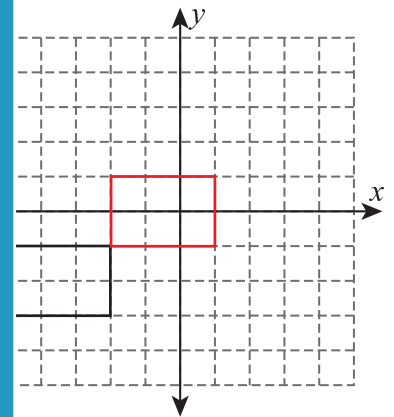
3) 1 unit up and 5 units left



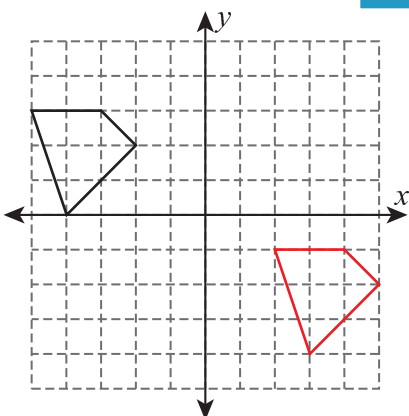
4) 6 units left and 3 units up



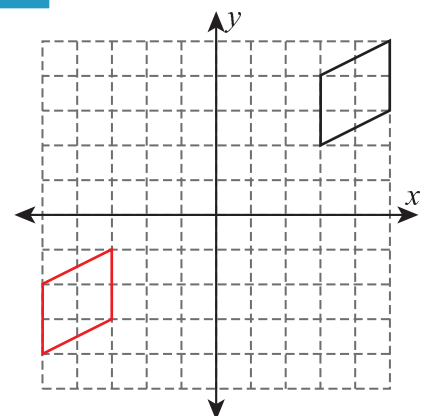
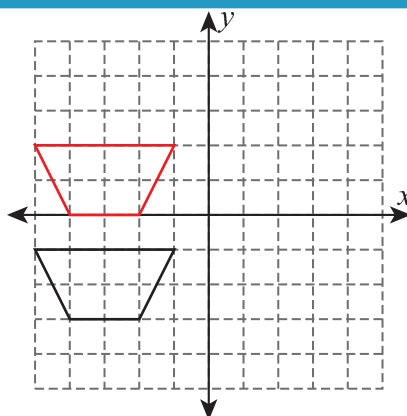
5) 3 units right and 2 units up



7) 4 units down and 7 units



6) 2 units left and 6 units down

**PREVIEW**

Gain complete access to the largest collection of worksheets in all subjects!

Members, please log in to download this worksheet.

Not a member? Please sign up to gain complete access.

[www.mathworksheets4kids.com](http://www.mathworksheets4kids.com)