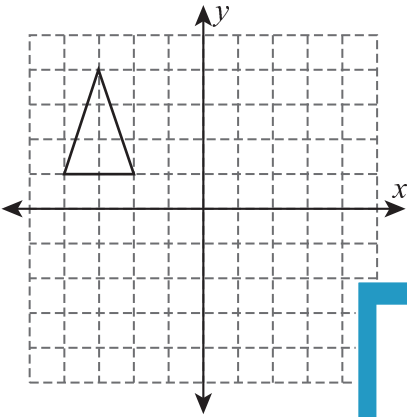


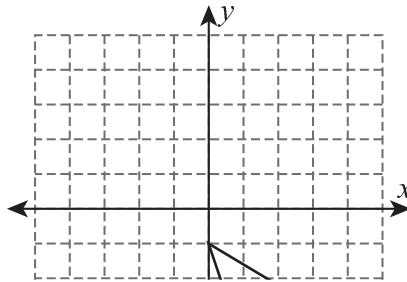
# Translation of Triangles

Graph the image of each triangle using the given translation.

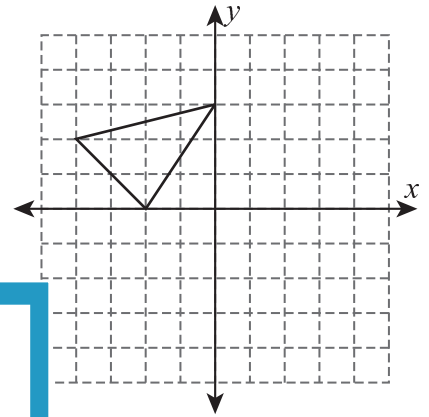
1) 4 units down



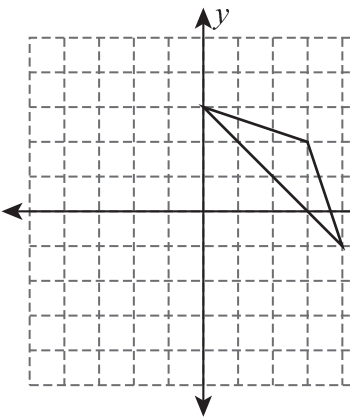
2) 6 units up and 5 units left



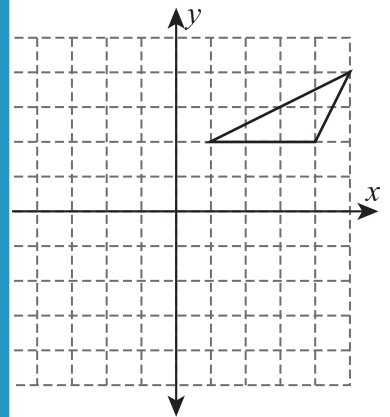
3) 5 units right and 3 units down



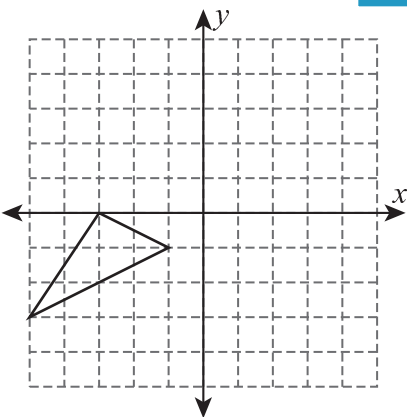
4) 5 units left and 1 unit down



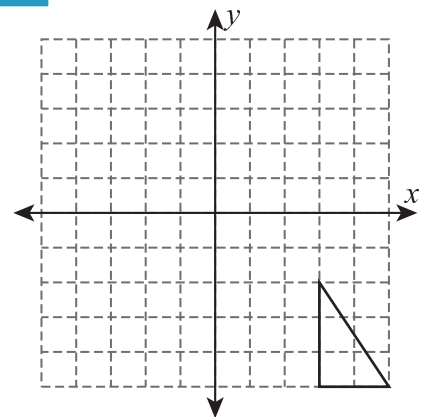
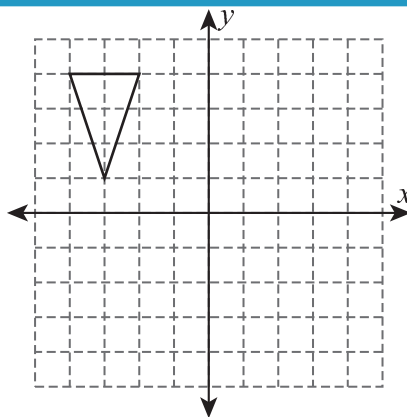
5) 3 units down and 4 units left



6) 2 units up and 6 units right



7) 4 units left and 7 units up



**PREVIEW**

Gain complete access to the largest collection of worksheets in all subjects!

Members, please log in to download this worksheet.

Not a member? Please sign up to gain complete access.

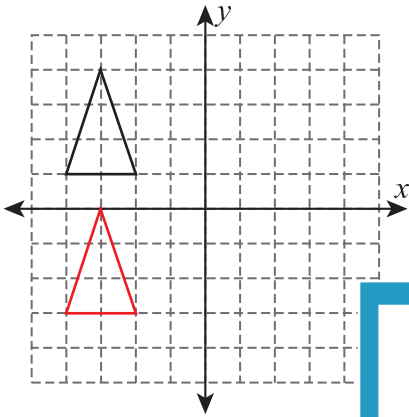
[www.mathworksheets4kids.com](http://www.mathworksheets4kids.com)

**Answer key**

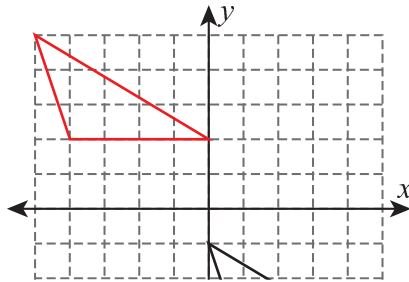
**Translation of Triangles**

Graph the image of each triangle using the given translation.

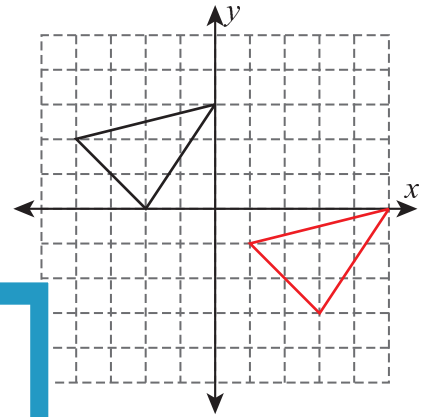
1) 4 units down



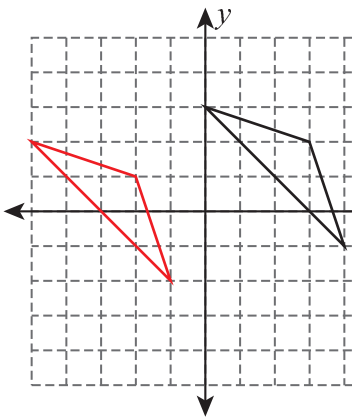
2) 6 units up and 5 units left



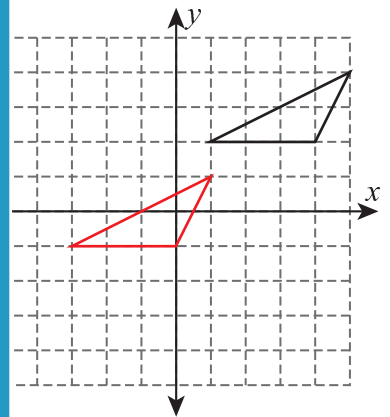
3) 5 units right and 3 units down



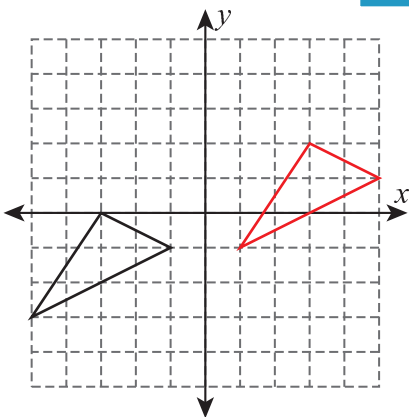
4) 5 units left and 1 unit down



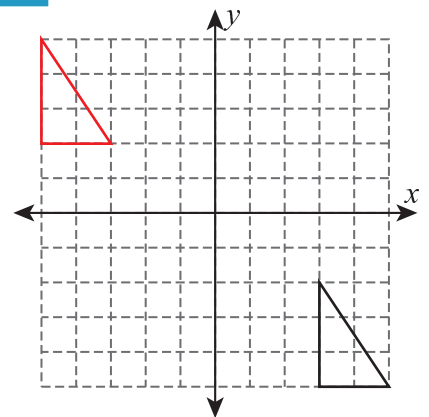
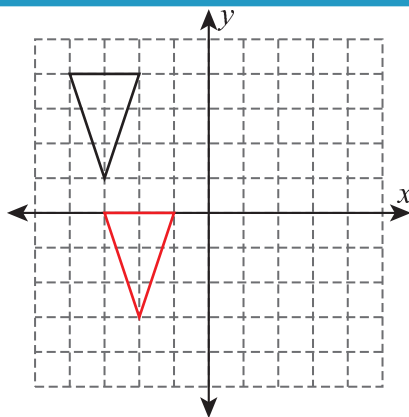
5) 3 units down and 4 units left



6) 2 units up and 6 units right



7) 3 units left and 7 units up



**PREVIEW**

Gain complete access to the largest collection of worksheets in all subjects!

Members, please log in to download this worksheet.

Not a member? Please sign up to gain complete access.

[www.mathworksheets4kids.com](http://www.mathworksheets4kids.com)