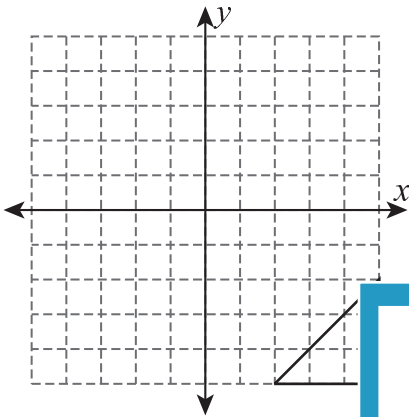


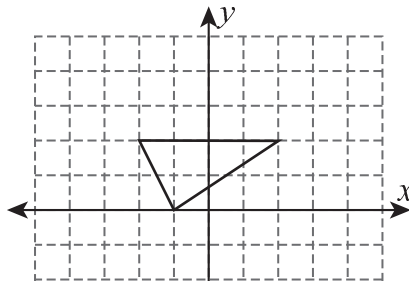
Translation of Triangles

Graph the image of each triangle using the given translation.

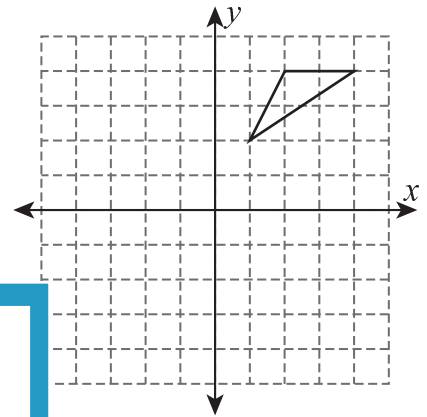
1) 7 units up and 5 units left



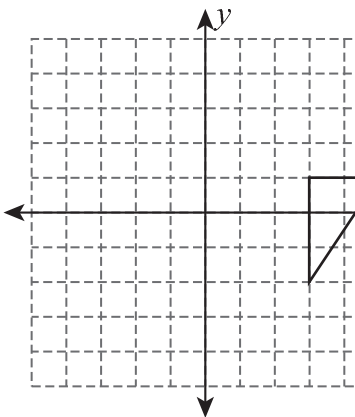
2) 3 units right



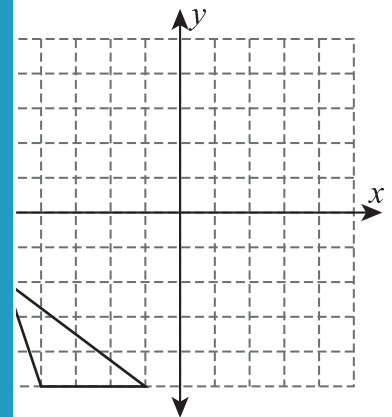
3) 6 units left and 4 units down



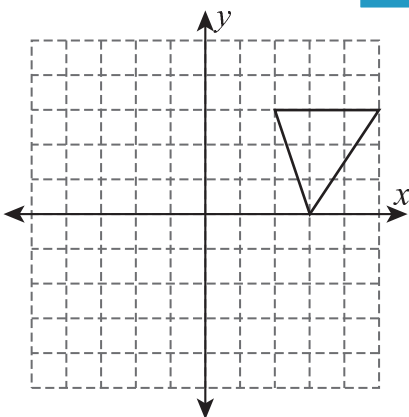
4) 8 units left and 2 units down



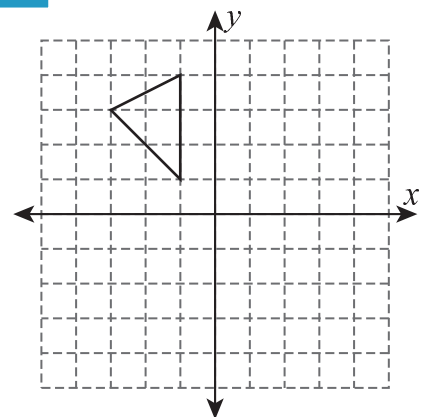
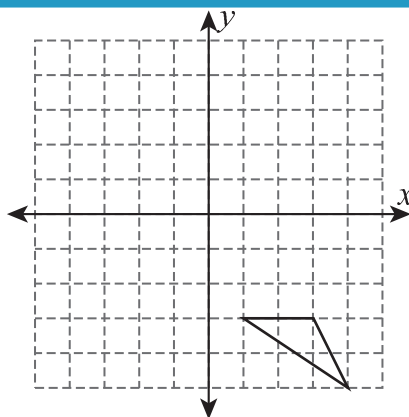
5) 3 units up



6) 1 unit down and 3 units left



7) 2 units right and 2 units down



PREVIEW

Gain complete access to the largest collection of worksheets in all subjects!

Members, please log in to download this worksheet.

Not a member? Please sign up to gain complete access.

www.mathworksheets4kids.com