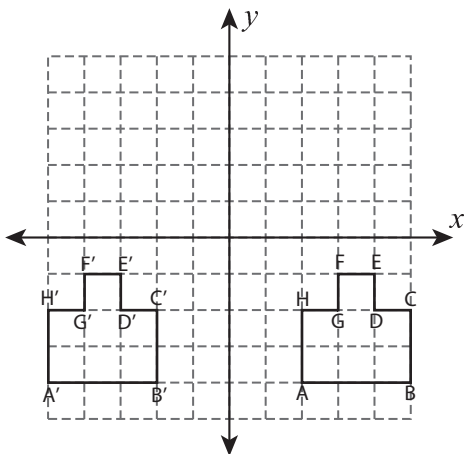


# Translation of Shapes

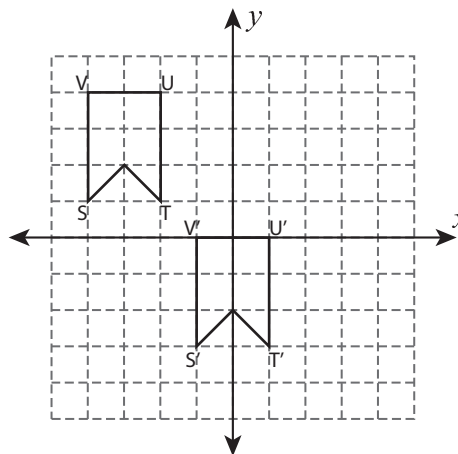
Write a rule to describe each translation.

1)



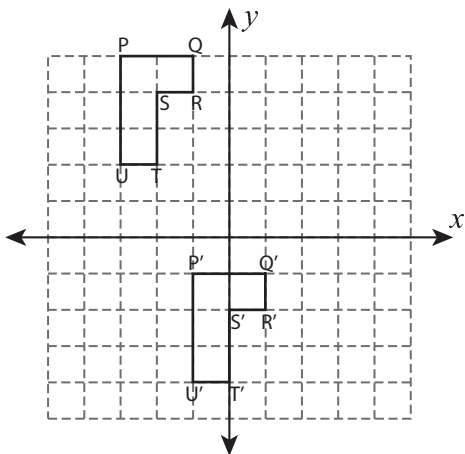
\_\_\_\_\_

2)



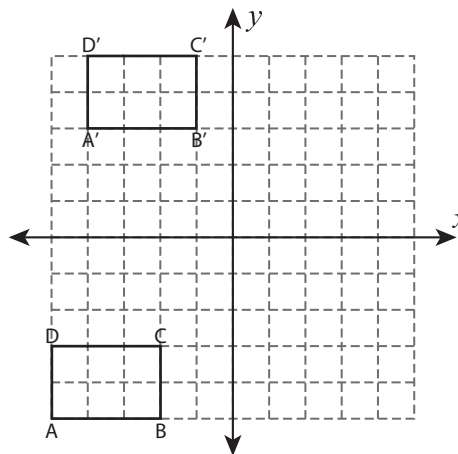
\_\_\_\_\_

3)



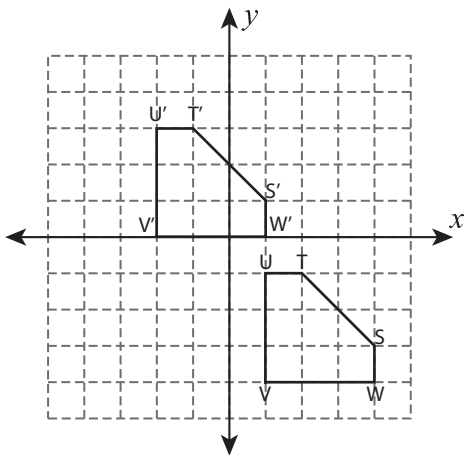
\_\_\_\_\_

4)



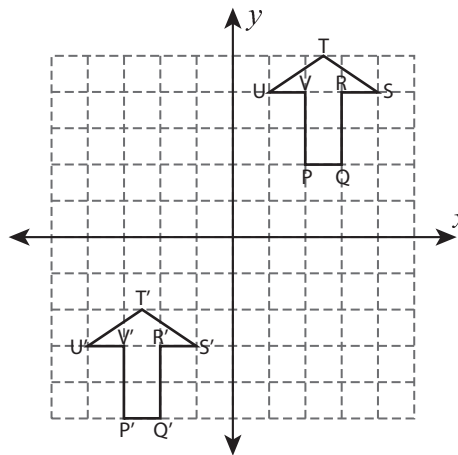
\_\_\_\_\_

5)



\_\_\_\_\_

6)



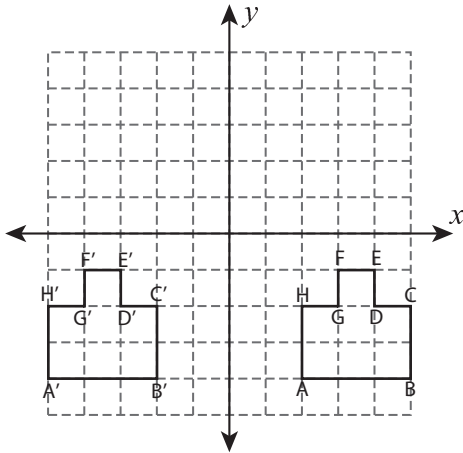
\_\_\_\_\_

**Answer key****Translation of Shapes**

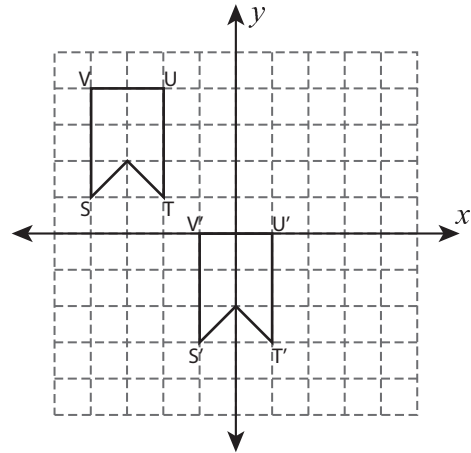
Sheet 1

Write a rule to describe each translation.

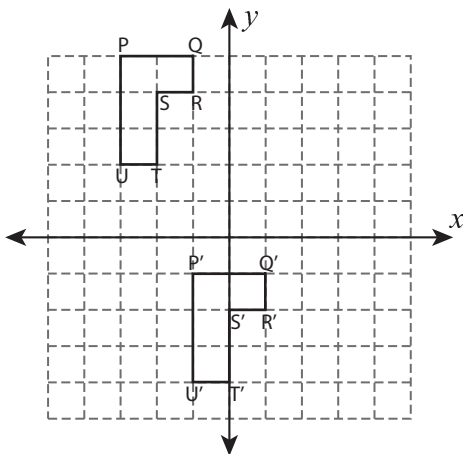
1)

**7 units left**

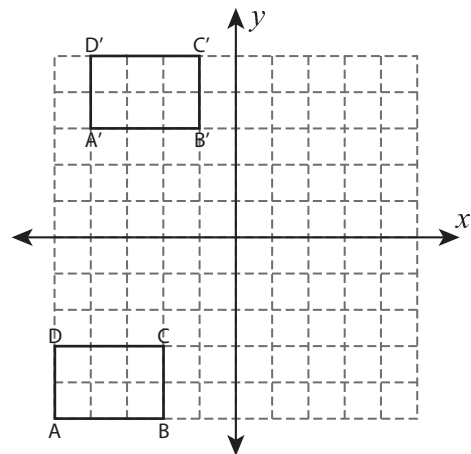
2)

**3 units right and 4 units down**

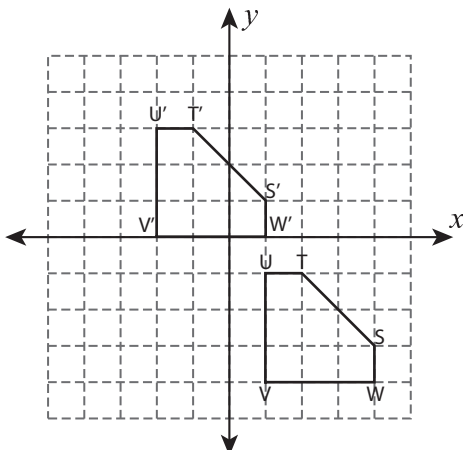
3)

**6 units down and 2 units right**

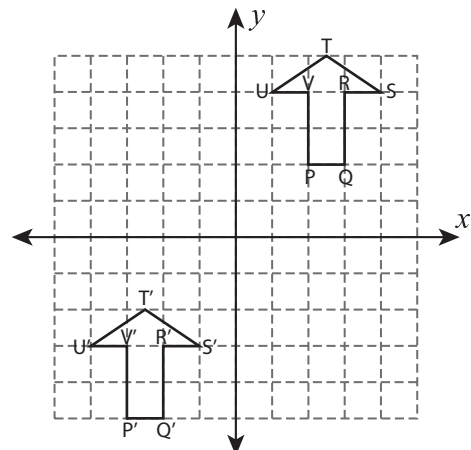
4)

**8 units up and 1 unit right**

5)

**4 units up and 3 units left**

6)

**5 units left and 7 units down**