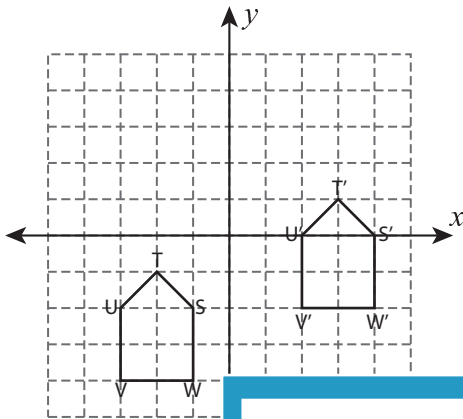


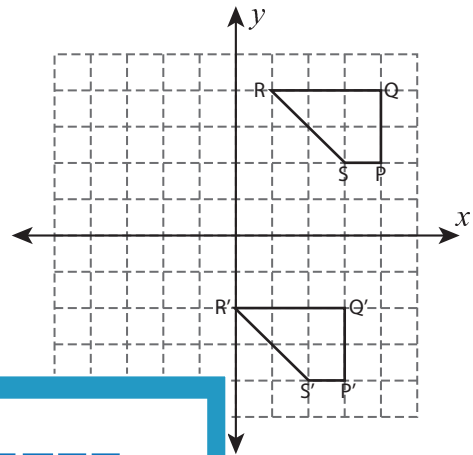
# Translation of Shapes

Write a rule to describe each translation.

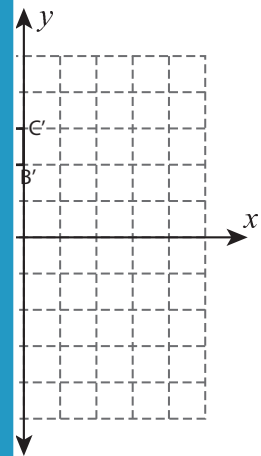
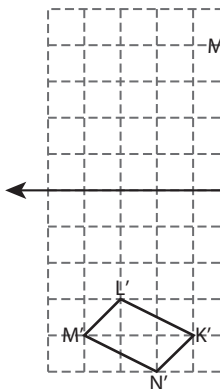
1)



2)



3)



## PREVIEW

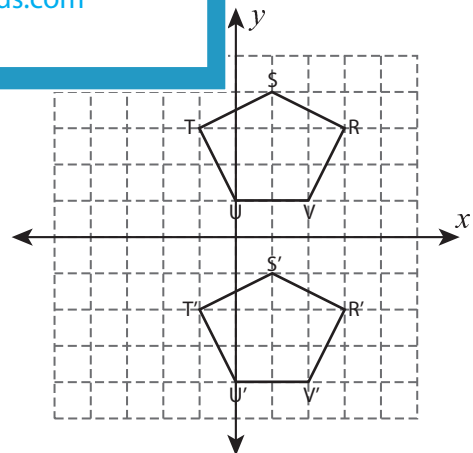
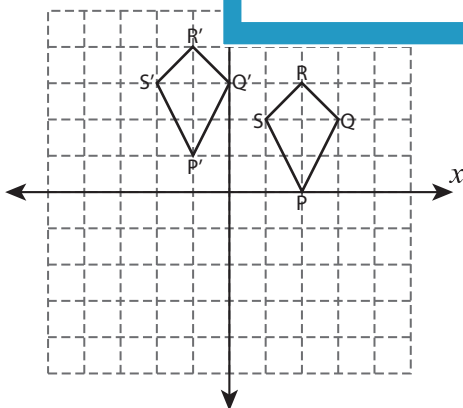
Gain complete access to the largest collection of worksheets in all subjects!

Members, please log in to download this worksheet.

Not a member? Please sign up to gain complete access.

[www.mathworksheets4kids.com](http://www.mathworksheets4kids.com)

5)

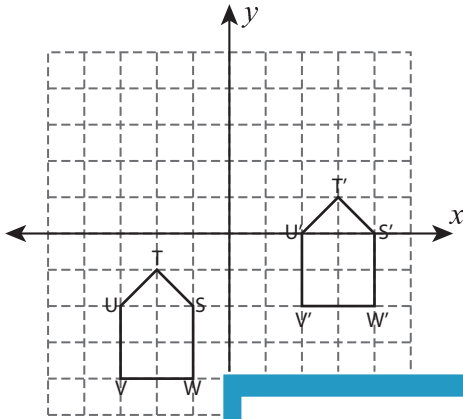


**Answer key**

**Translation of Shapes**

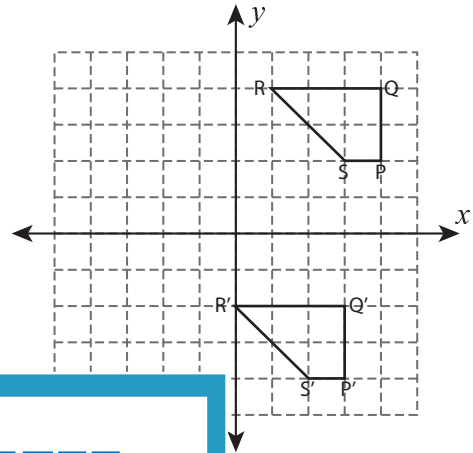
Write a rule to describe each translation.

1)



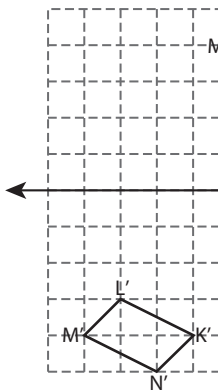
**5 units right**

2)

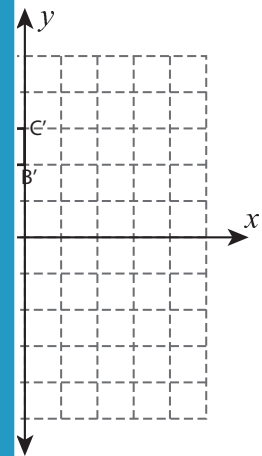


**6 units down**

3)



**8 units down**



**2 units right**

# PREVIEW

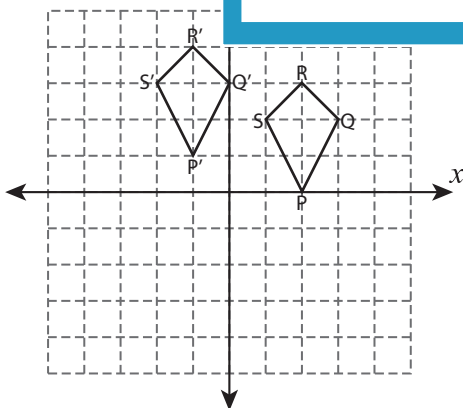
Gain complete access to the largest collection of worksheets in all subjects!

Members, please log in to download this worksheet.

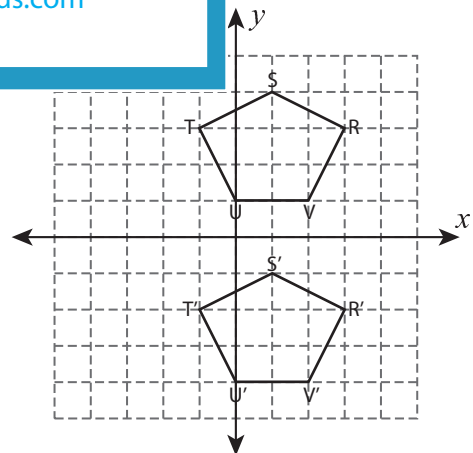
Not a member? Please sign up to gain complete access.

www.mathworksheets4kids.com

5)



**3 units left and 1 unit up**



**5 units down**