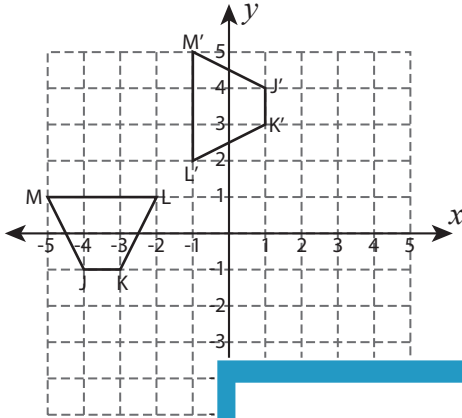


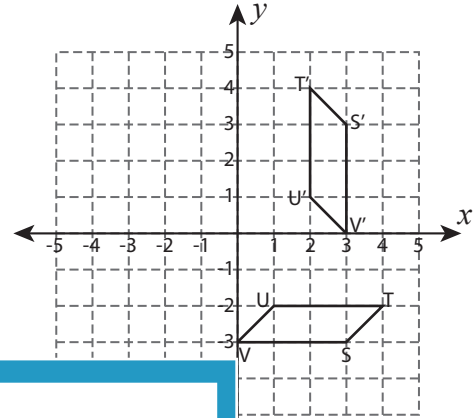
Transformation of Shapes

Write a rule to describe each transformation.

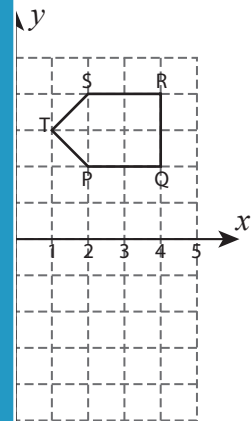
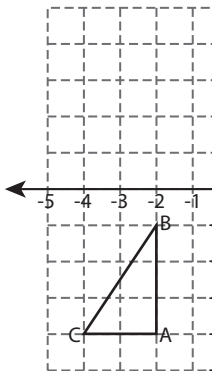
1)



2)



3)



PREVIEW

Access the largest collection of
worksheets for just **\$19.95** per year!

Members, please
log in to
download this
worksheet.

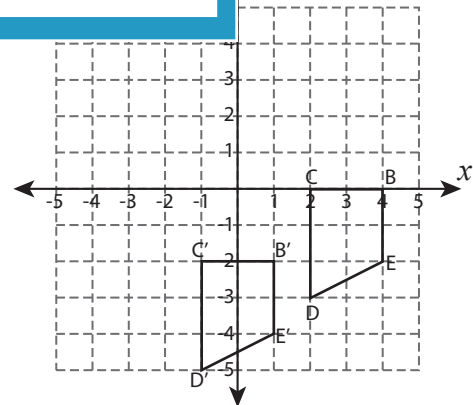
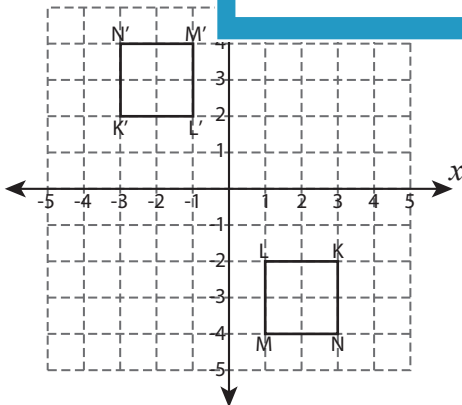
Log in

Not a member?
Please sign up to
gain complete
access.

Sign up

www.mathworksheets4kids.com

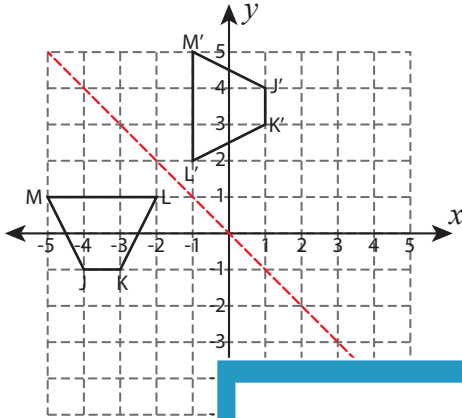
5)



Transformation of Shapes

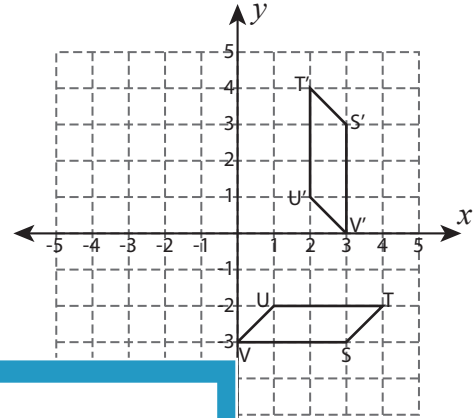
Write a rule to describe each transformation.

1)



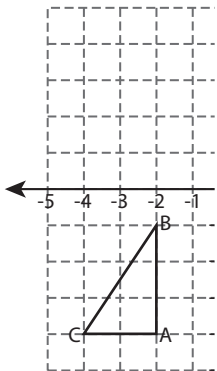
Reflection across

2)

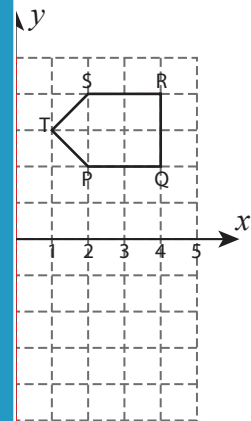


Rotation about the origin

3)



Translating 6 units



Reflection across the y-axis

PREVIEW

Access the largest collection of worksheets for just **\$19.95** per year!

Members, please log in to download this worksheet.

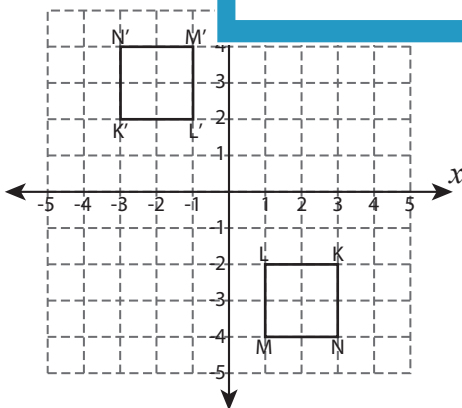
Log in

Not a member? Please sign up to gain complete access.

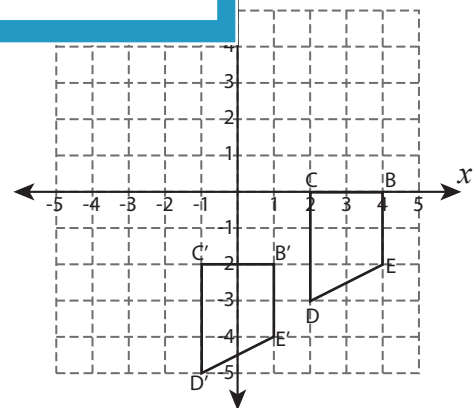
Sign up

www.mathworksheets4kids.com

5)



180° rotation about the origin



Translating 3 units left and 2 units down