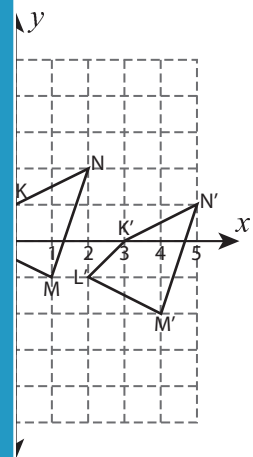
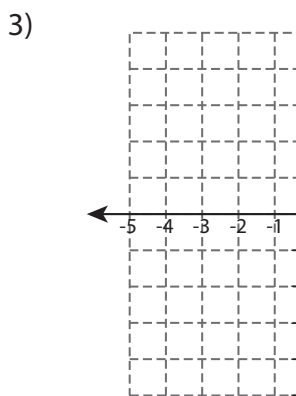
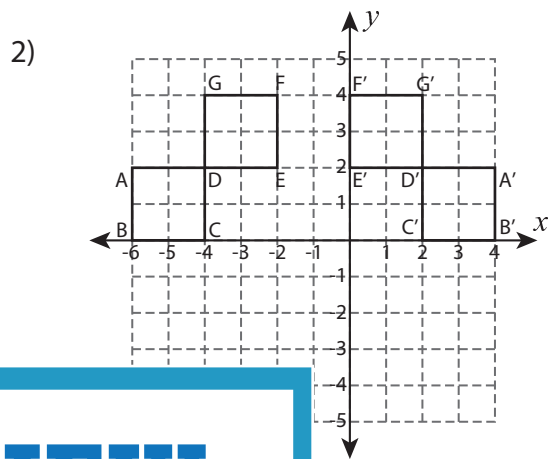
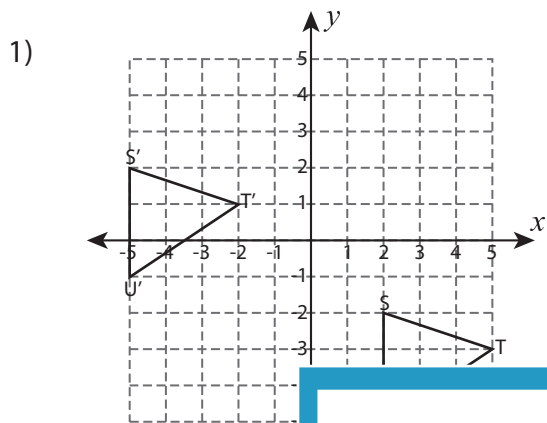


Transformation of Shapes

Write a rule to describe each transformation.



PREVIEW

Access the largest collection of
worksheets for just **\$19.95** per year!

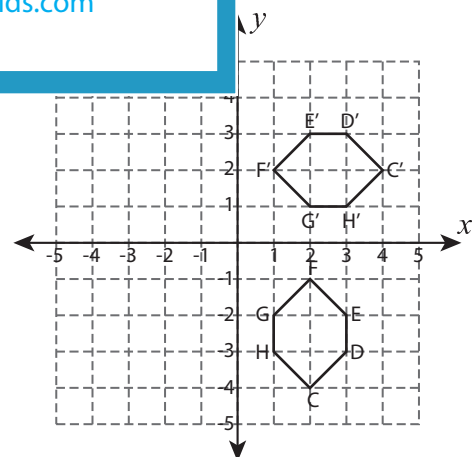
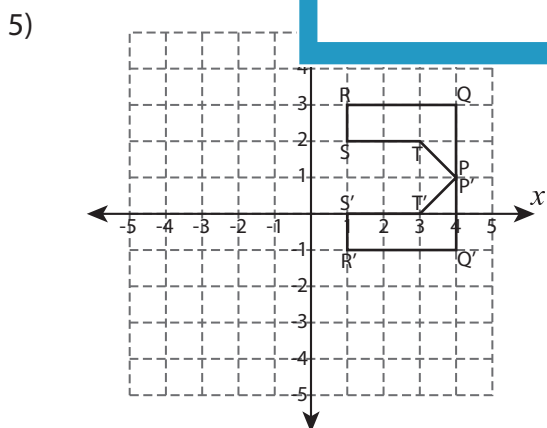
Members, please
log in to
download this
worksheet.

Log in

Not a member?
Please sign up to
gain complete
access.

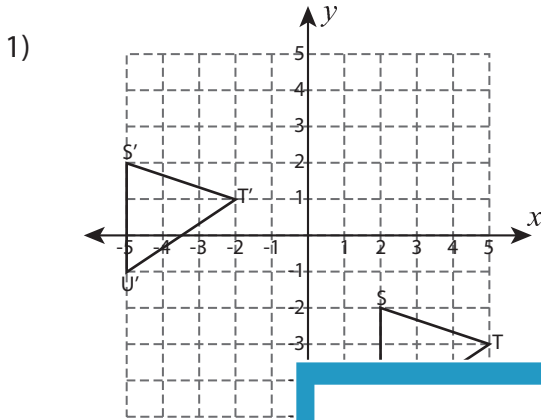
Sign up

www.mathworksheets4kids.com

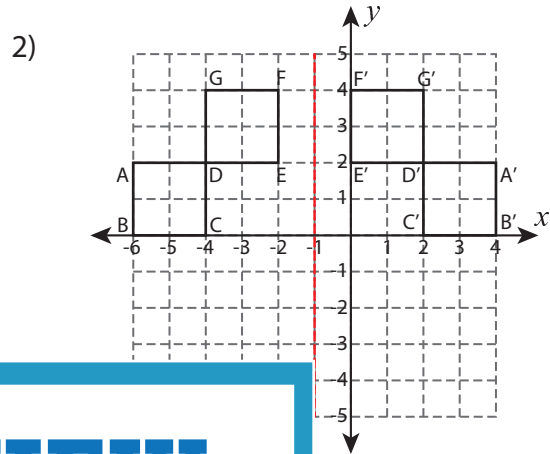


Transformation of Shapes

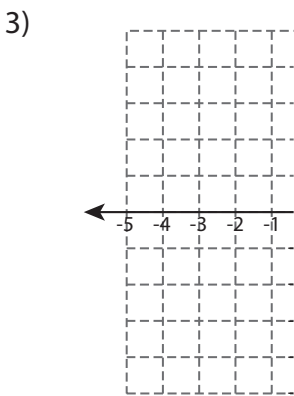
Write a rule to describe each transformation.



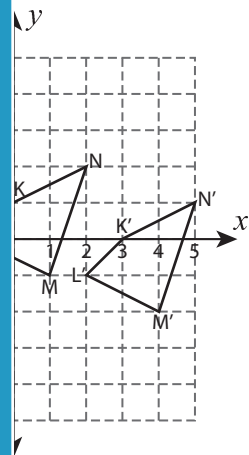
Translating 4 units



Reflection across the line $x = -1$



90° clockwise rotation



Translation 3 units down and 3 units right

PREVIEW

Access the largest collection of worksheets for just **\$19.95** per year!

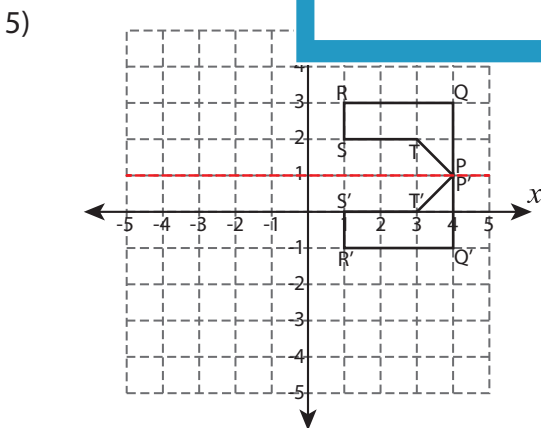
Members, please log in to download this worksheet.

Log in

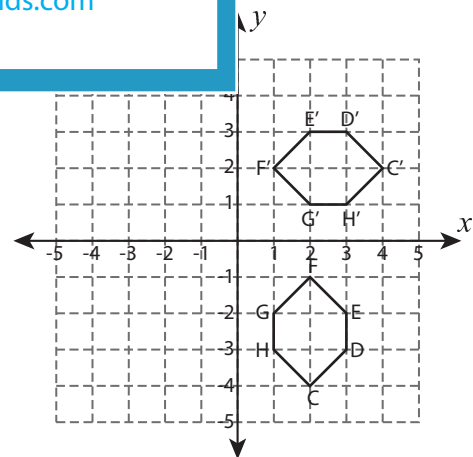
Not a member? Please sign up to gain complete access.

Sign up

www.mathworksheets4kids.com



Reflection across the line $y = 1$



90° counterclockwise rotation about the origin