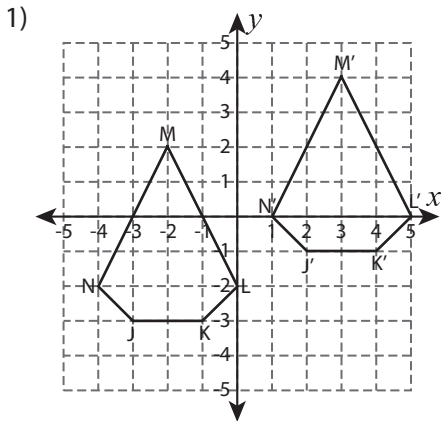
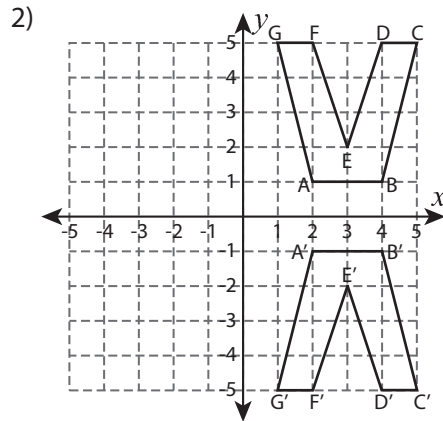
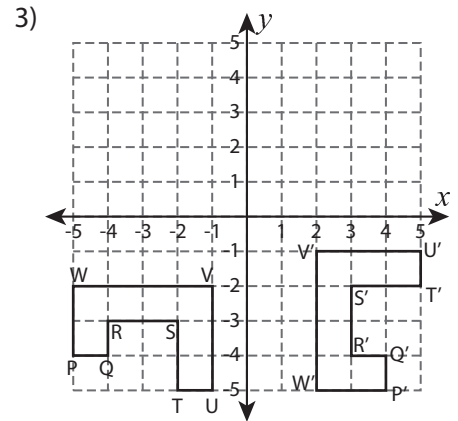


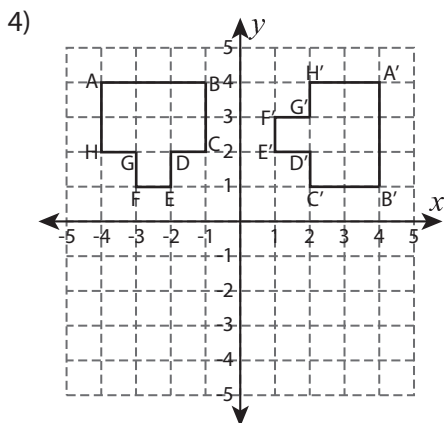
Transformation of Shapes

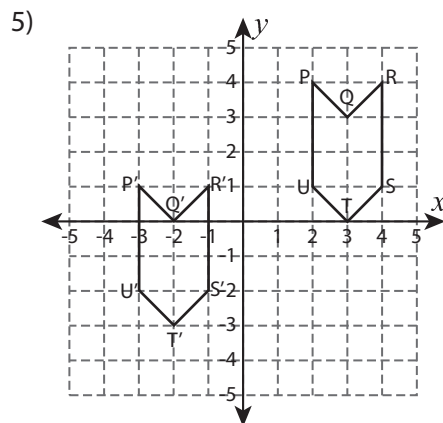
Recognize how each shape has transformed. Write translation, reflection or rotation.

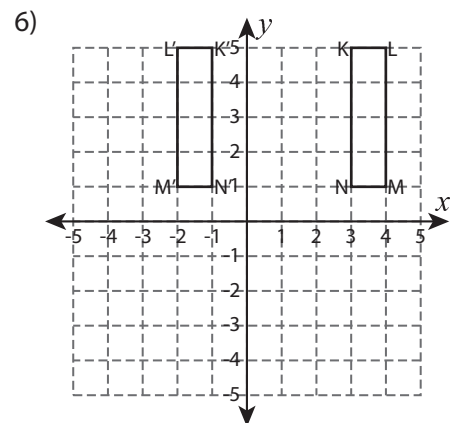


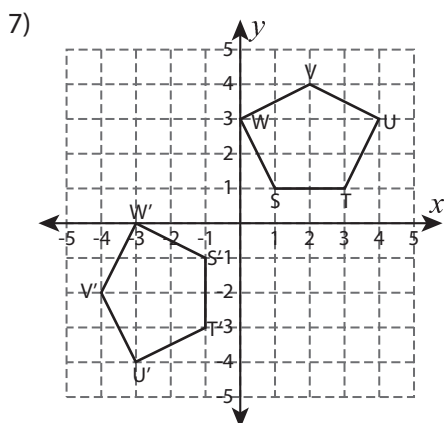


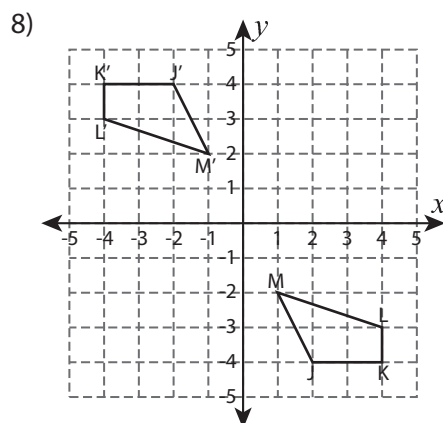


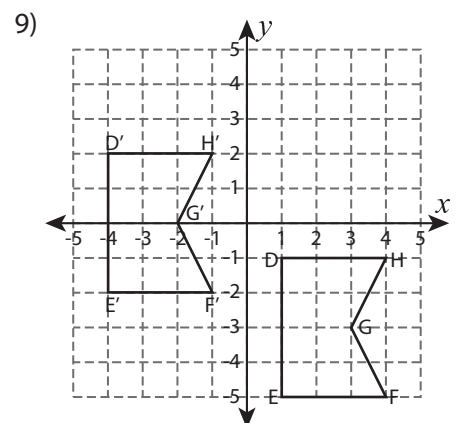








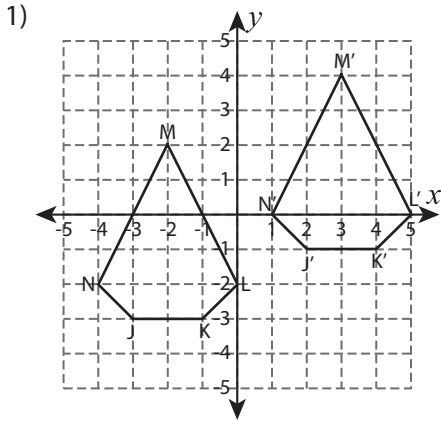




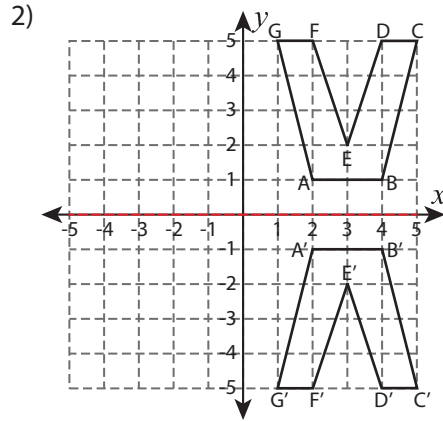
Answer key

Transformation of Shapes

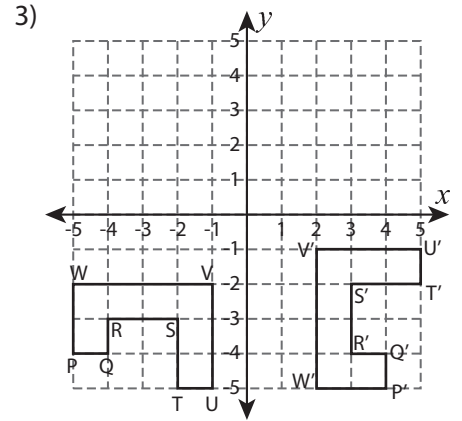
Recognize how each shape has transformed. Write translation, reflection or rotation.



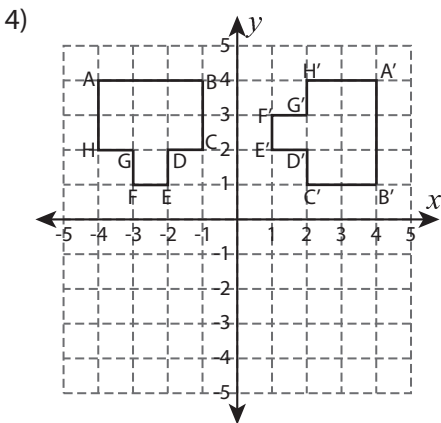
Translation



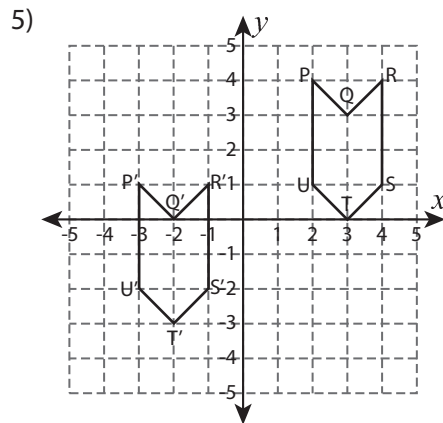
Reflection



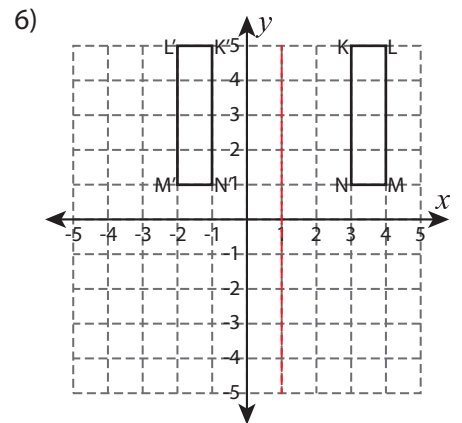
Rotation



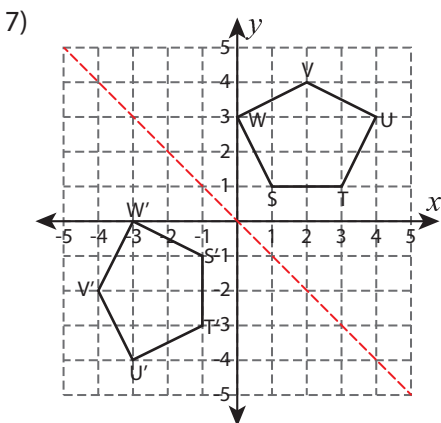
Rotation



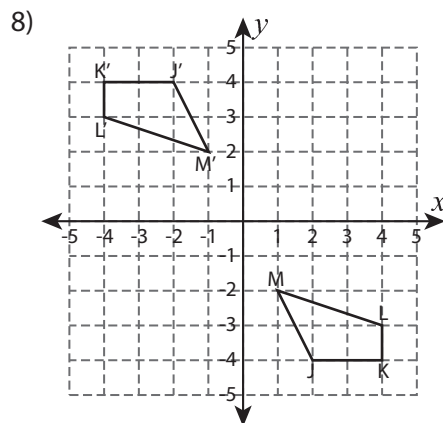
Translation



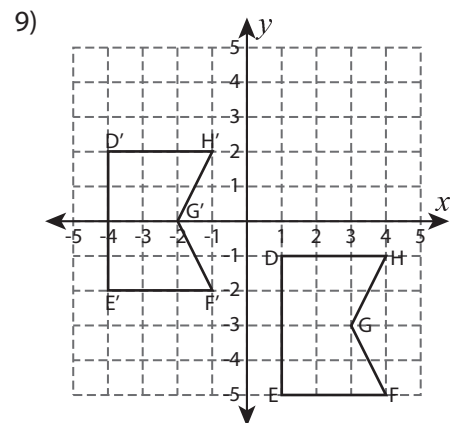
Reflection



Reflection



Rotation



Translation