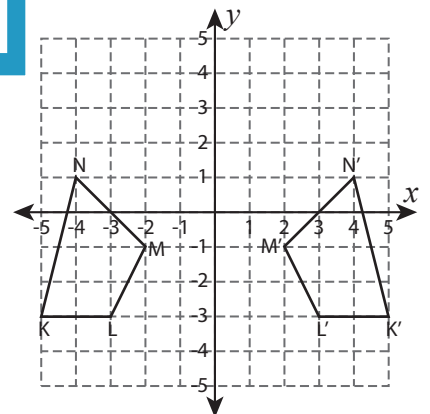
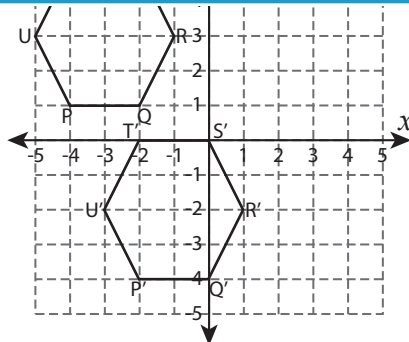
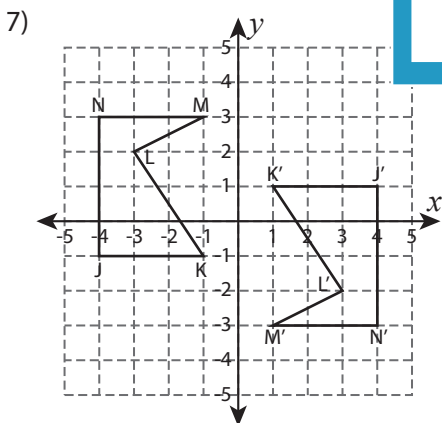
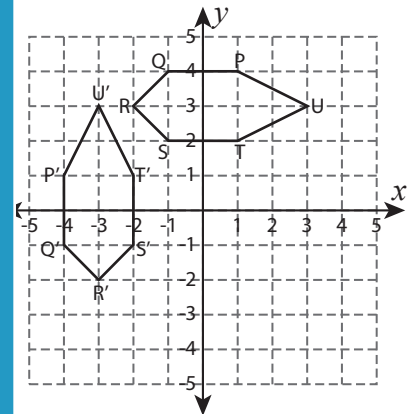
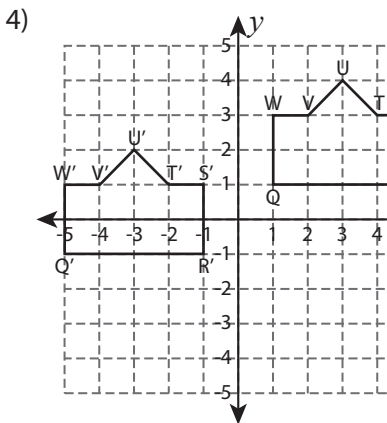
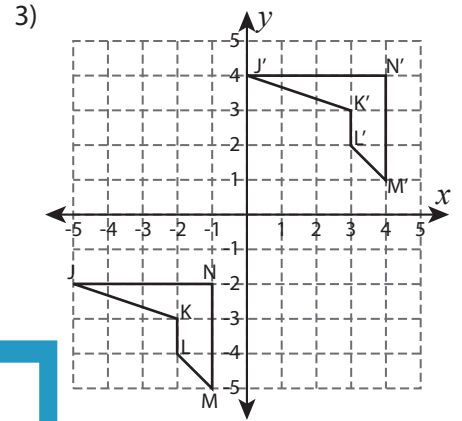
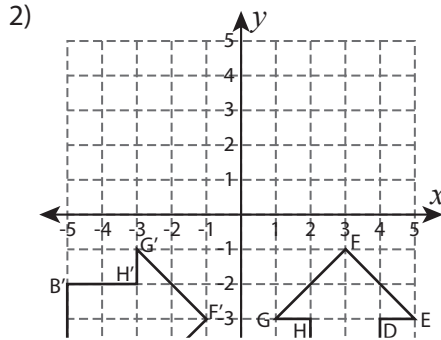
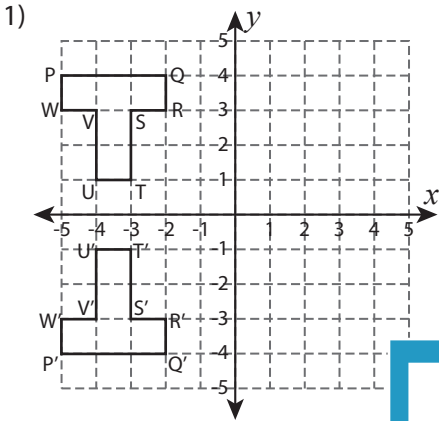


Transformation of Shapes

Recognize how each shape has transformed. Write translation, reflection or rotation.



PREVIEW

Access the largest collection of worksheets for just **\$19.95** per year!

Members, please log in to download this worksheet.

Log in

Not a member? Please sign up to gain complete access.

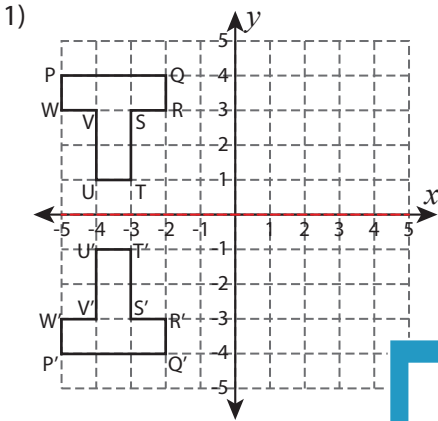
Sign up

www.mathworksheets4kids.com

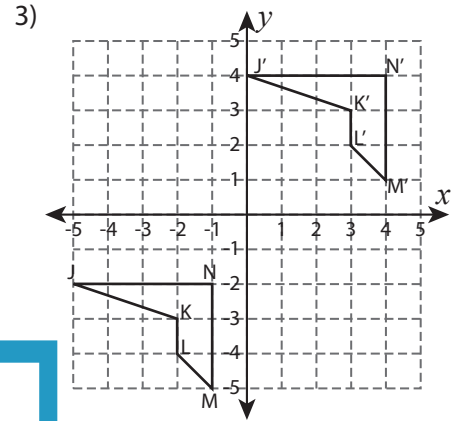
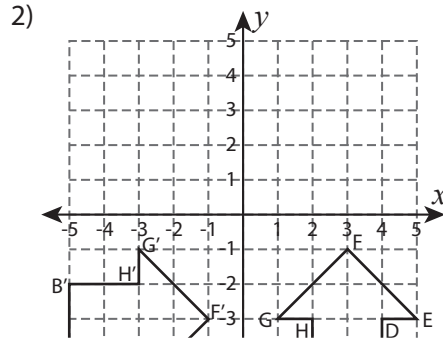
Answer key

Transformation of Shapes

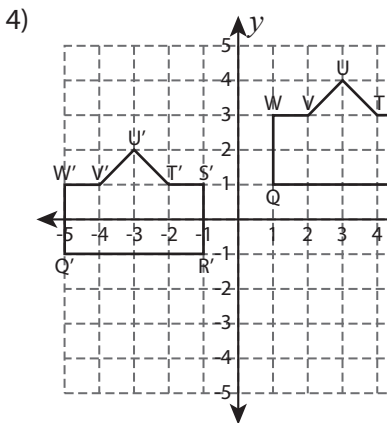
Recognize how each shape has transformed. Write translation, reflection or rotation.



Reflection



Translation



Translation

Access the largest collection of worksheets for just **\$19.95** per year!

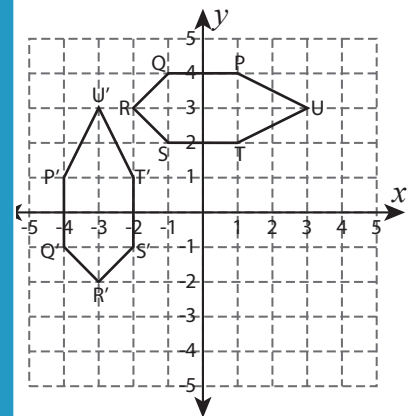
Members, please log in to download this worksheet.

Log in

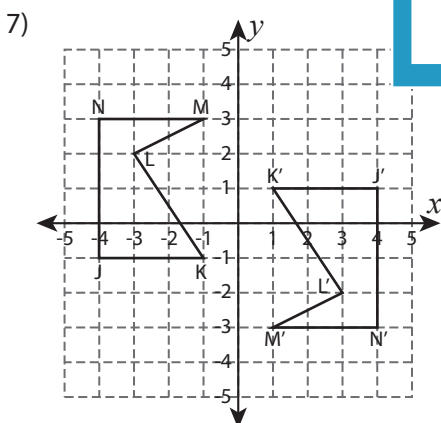
Not a member? Please sign up to gain complete access.

Sign up

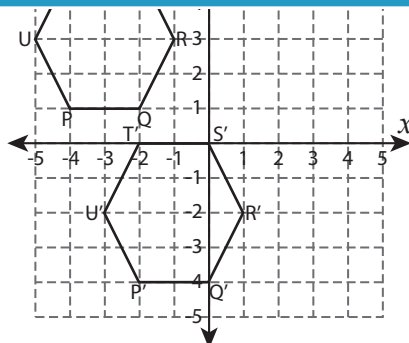
www.mathworksheets4kids.com



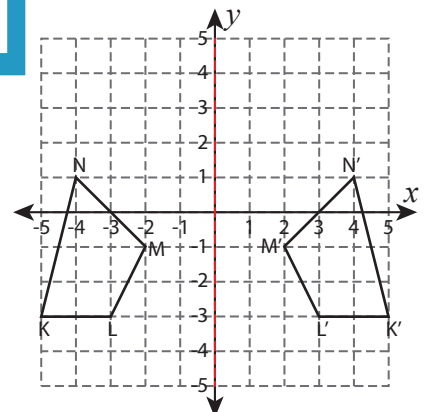
Rotation



Rotation



Translation



Reflection