

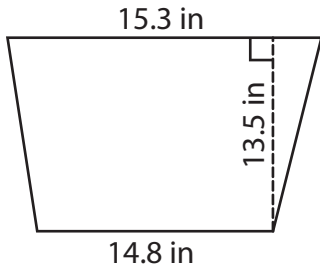
Name : \_\_\_\_\_

## Trapezoid – Area

T2S3

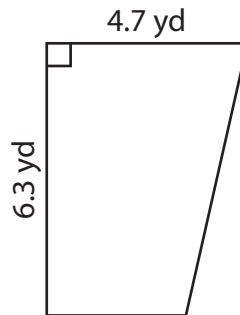
Find the area of each trapezoid. Round your answer to two decimal places.

1)



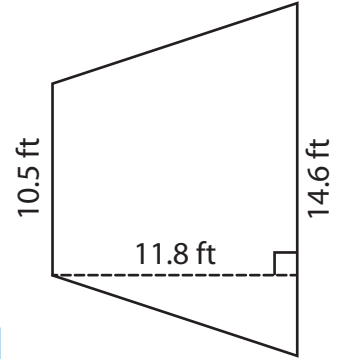
Area = \_\_\_\_\_

2)



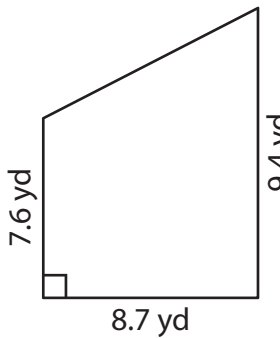
Area = \_\_\_\_\_

3)



Area = \_\_\_\_\_

4)



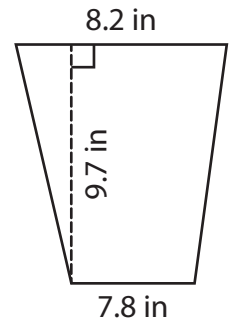
Area = \_\_\_\_\_

Gain complete access to the largest collection of worksheets in all subjects!

Members, please log in to download this worksheet.

Not a member? Please sign up to gain complete access.

[www.mathworksheets4kids.com](http://www.mathworksheets4kids.com)



Area = \_\_\_\_\_

7) The height of a trapezoid is 5.9 inches and 9.2 inches. The parallel bases measure

\_\_\_\_\_ parallel bases measure

8) The perpendicular distance between the bases of a trapezoid is 10 feet. Determine the area of the trapezoid, if the sum of the bases is 24.4 feet.

Name : \_\_\_\_\_

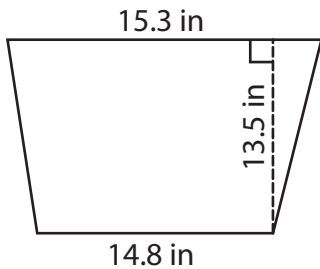
## Answer key

### Trapezoid – Area

T2S3

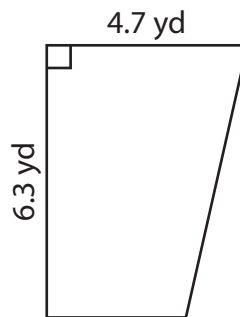
Find the area of each trapezoid. Round your answer to two decimal places.

1)

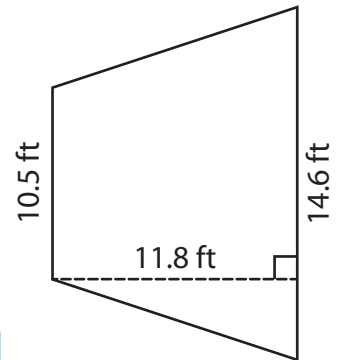


Area = 203.18 in<sup>2</sup>

2)

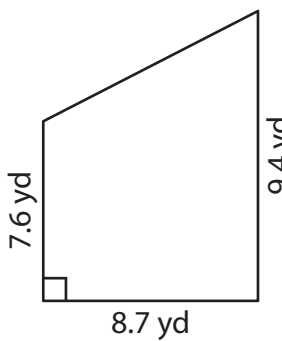


3)



Area = 148.09 ft<sup>2</sup>

4)



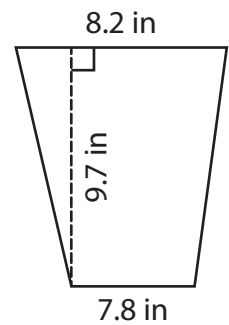
Area = 73.95 yd<sup>2</sup>

Gain complete access to the largest collection of worksheets in all subjects!

Members, please log in to download this worksheet.

Not a member? Please sign up to gain complete access.

[www.mathworksheets4kids.com](http://www.mathworksheets4kids.com)



Area = 77.6 in<sup>2</sup>

7) The height of a trapezoid is 10 feet. The parallel bases measure 5.9 inches and 9.2 inches.

The parallel bases measure

48.32 square inches

8) The perpendicular distance between the bases of a trapezoid is 10 feet. Determine the area of the trapezoid, if the sum of the bases is 24.4 feet.

122 square feet