

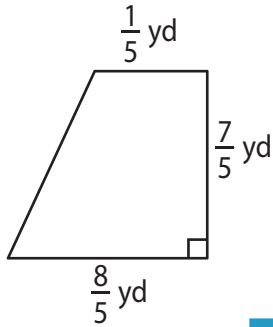
Name : _____

Trapezoid – Area

T2S1

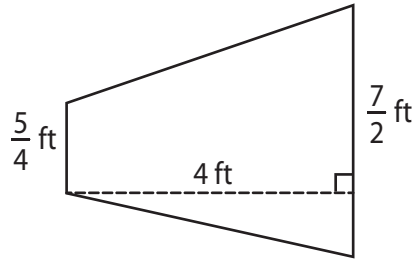
Find the area of each trapezoid.

1)



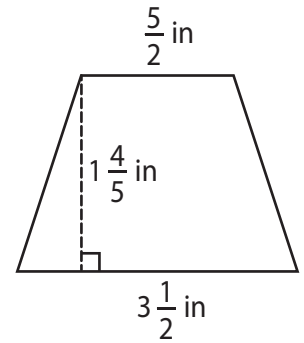
Area = _____

2)



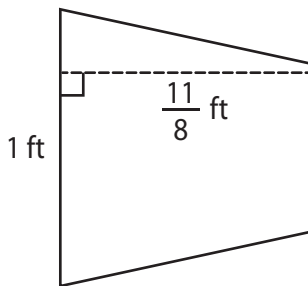
Area = _____

3)



Area = _____

4)



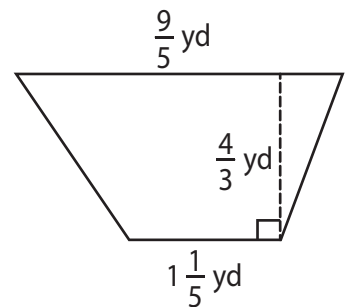
Area = _____

Gain complete access to the largest collection of worksheets in all subjects!

Members, please log in to download this worksheet.

Not a member? Please sign up to gain complete access.

www.mathworksheets4kids.com



Area = _____

7) The height of a trapezoid is $\frac{3}{4}$ feet and the sum of the bases is $2\frac{1}{2}$ feet. What is the area of the trapezoid?

and $\frac{1}{2}$ inch, what is the area

8) The sum of the bases and the height of a trapezoid are $\frac{13}{9}$ feet and 3 feet respectively. Determine the area of the trapezoid.

Name : _____

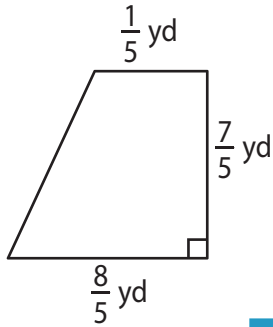
Answer key

Trapezoid – Area

T2S1

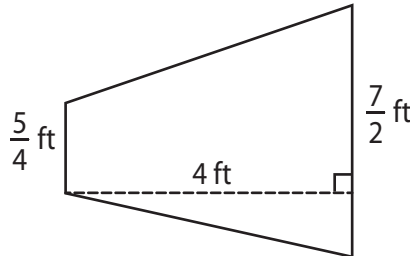
Find the area of each trapezoid.

1)



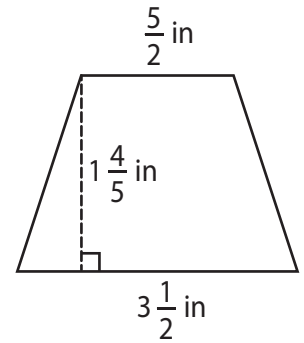
Area = $\frac{63}{50}$ or $1\frac{13}{50}$ yd²

2)

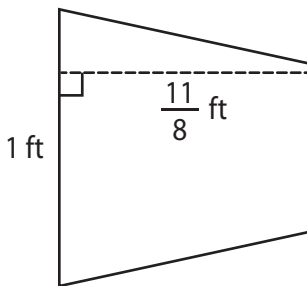


Area = $\frac{27}{5}$ or $5\frac{2}{5}$ in²

3)



4)



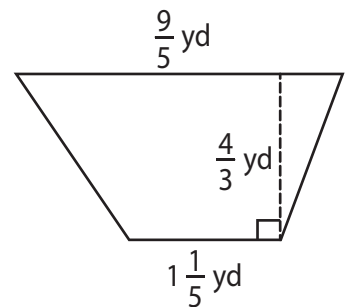
Area = $\frac{33}{32}$ or $1\frac{1}{32}$ ft²

Gain complete access to the largest collection of worksheets in all subjects!

Members, please log in to download this worksheet.

Not a member? Please sign up to gain complete access.

www.mathworksheets4kids.com



Area = 2 yd²

7) The height of a trapezoid is 4 square inches and the height of the trapezoid?

4 square inches

and $\frac{1}{2}$ inch, what is the area

8) The sum of the bases and the height of a trapezoid are $\frac{13}{9}$ feet and 3 feet respectively. Determine the area of the trapezoid.

$\frac{13}{6}$ or $2\frac{1}{6}$ square feet