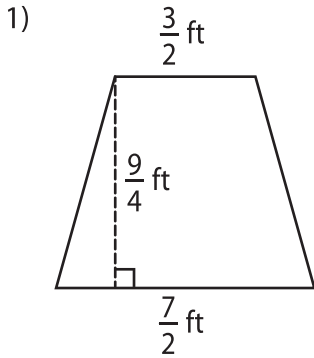


Name : _____

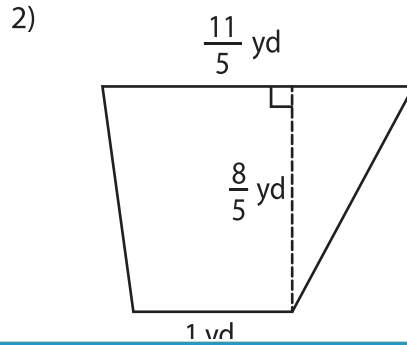
Trapezoid – Area

T2S2

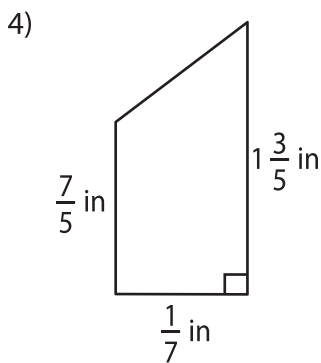
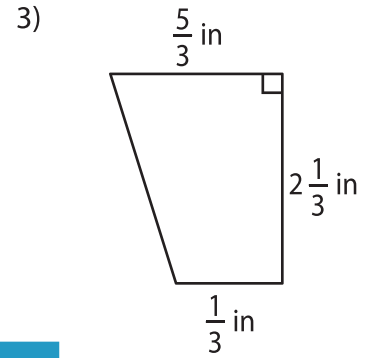
Find the area of each trapezoid.



Area = _____



Area = _____

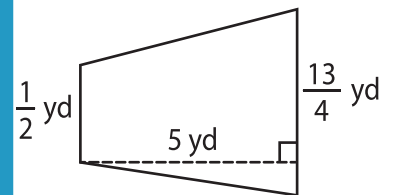


Area = _____

Gain complete access to the largest collection of worksheets in all subjects!

Members, please log in to download this worksheet.

Not a member? Please sign up to gain complete access.



Area = _____

7) The parallel bases of a trapezoid are 4 yards and 6 yards. The parallel distance between the bases is 2 yards, find the area.

Area = _____

8) The sum of the parallel bases of a trapezoid is 3 inches. What is the area of the trapezoid, if the height is $\frac{2}{3}$ inch?