

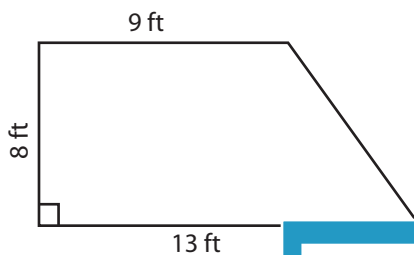
Name : _____

Trapezoid - Area

T1L1S2

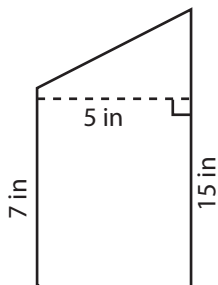
Find the area of each trapezoid.

1)

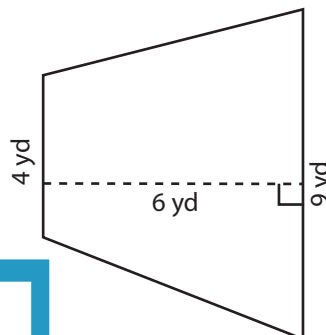


Area = _____

2)

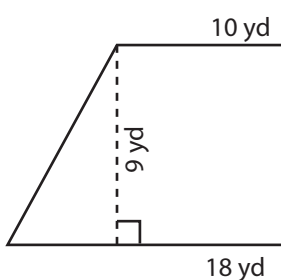


3)



Area = _____

4)



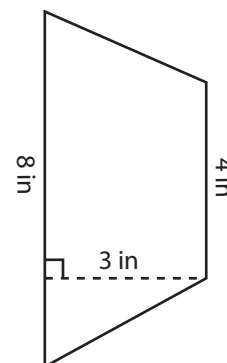
Area = _____

Gain complete access to the largest collection of worksheets in all subjects!

Members, please log in to download this worksheet.

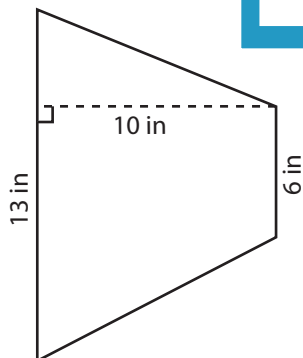
Not a member? Please sign up to gain complete access.

www.mathworksheets4kids.com

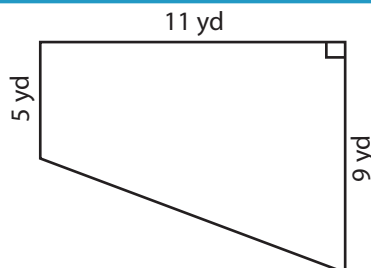


Area = _____

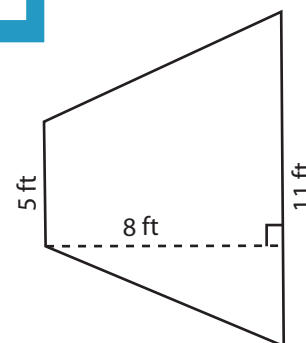
7)



Area = _____



Area = _____



Area = _____

Name : _____

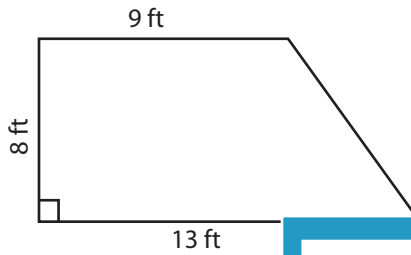
Answer key

Trapezoid - Area

T1L1S2

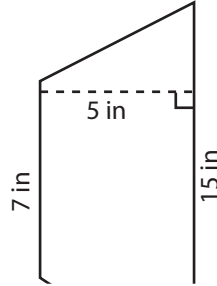
Find the area of each trapezoid.

1)

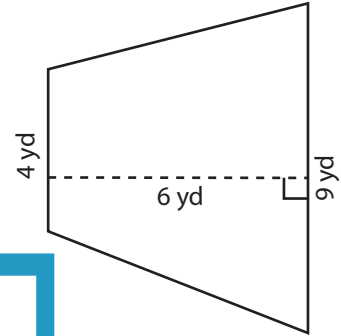


Area = 88 ft²

2)

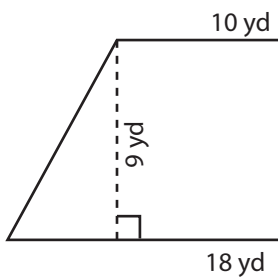


3)



Area = 39 yd²

4)



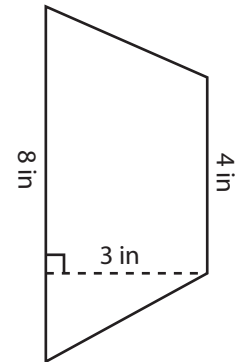
Area = 126 yd²

Gain complete access to the largest collection of worksheets in all subjects!

Members, please log in to download this worksheet.

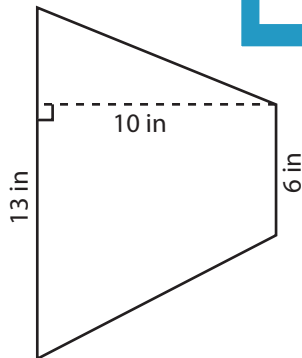
Not a member? Please sign up to gain complete access.

www.mathworksheets4kids.com

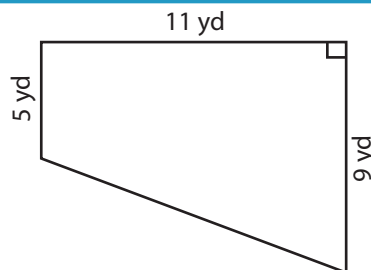


Area = 18 in²

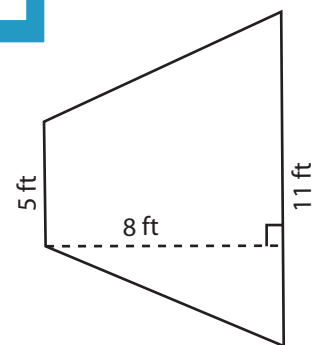
7)



Area = 95 in²



Area = 77 yd²



Area = 64 ft²