

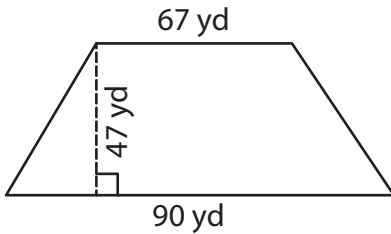
Name : _____

Trapezoid – Area

T2L2S1

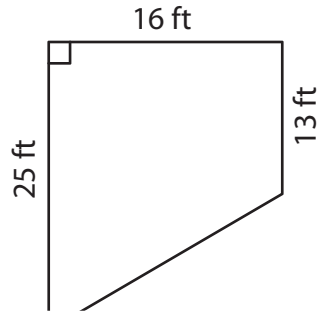
Find the area of each trapezoid.

1)



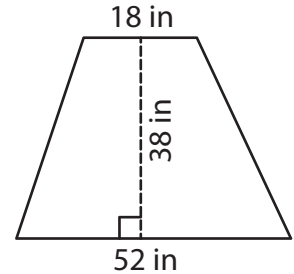
Area = _____

2)



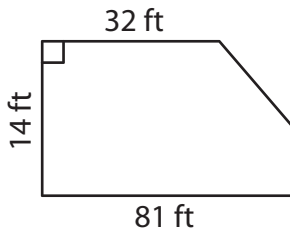
Area = _____

3)



Area = _____

4)



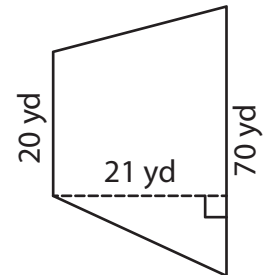
Area = _____

Gain complete access to the largest collection of worksheets in all subjects!

Members, please log in to download this worksheet.

Not a member? Please sign up to gain complete access.

www.mathworksheets4kids.com



Area = _____

7) The sum of the parallel bases is 100 yards. The height is 15 yards. Determine the area of the trapezoid.

_____ and 65 yards respectively.

8) The perpendicular distance between the bases of a trapezoid is 26 feet. Find the area of the trapezoid, if the parallel bases measure 43 feet and 10 feet.

Name : _____

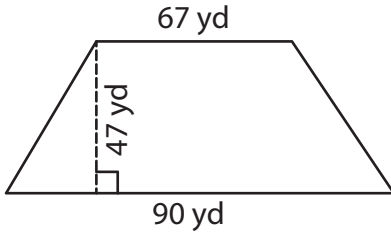
Answer key

T2L2S1

Trapezoid – Area

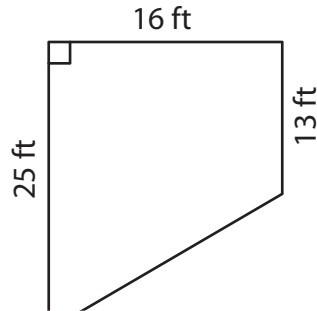
Find the area of each trapezoid.

1)

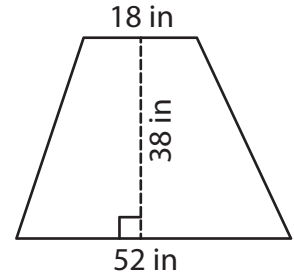


Area = 3,689.5 yd²

2)

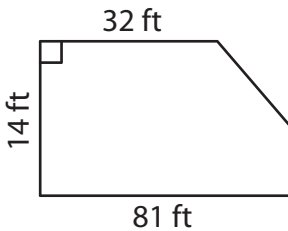


3)



Area = 1,330 in²

4)



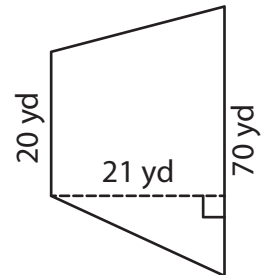
Area = 791 ft²

Gain complete access to the largest collection of worksheets in all subjects!

Members, please log in to download this worksheet.

Not a member? Please sign up to gain complete access.

www.mathworksheets4kids.com



Area = 945 yd²

7) The sum of the parallel bases is 100 yards. The height is 26 yards. Determine the area of the trapezoid.

and 65 yards respectively.

4,160 square yards

8) The perpendicular distance between the bases of a trapezoid is 26 feet. Find the area of the trapezoid, if the parallel bases measure 43 feet and 10 feet.

689 square feet