

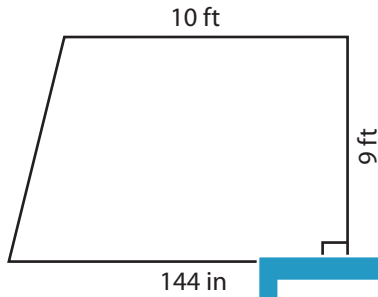
Name : _____

Trapezoid - Area

T1S3

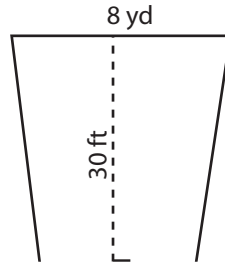
Find the area of each trapezoid.

1)

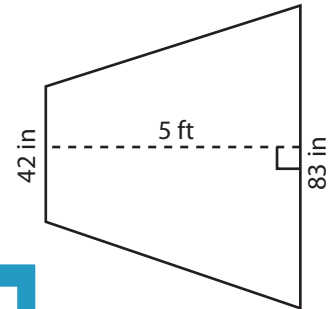


Area = _____

2)

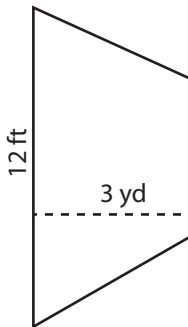


3)



Area = _____ in²

4)



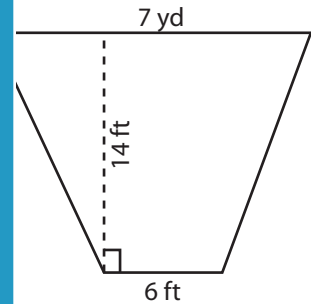
Area = _____

Gain complete access to the largest collection of worksheets in all subjects!

Members, please log in to download this worksheet.

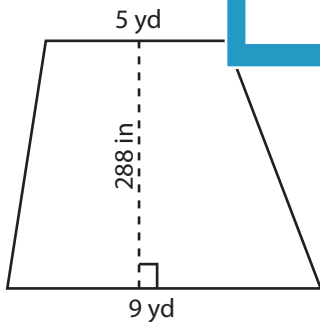
Not a member? Please sign up to gain complete access.

www.mathworksheets4kids.com

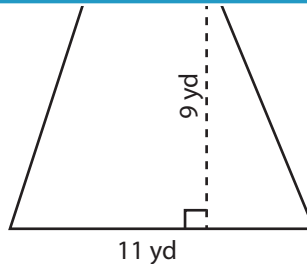


Area = _____ ft²

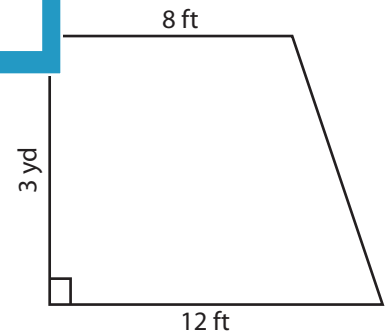
7)



Area = _____ yd²



Area = _____ yd²



Area = _____ ft²

Name : _____

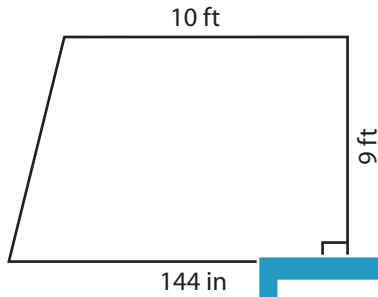
Answer key

Trapezoid - Area

T1S3

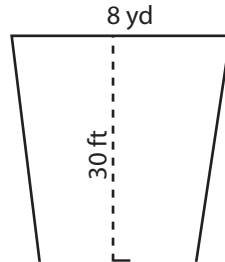
Find the area of each trapezoid.

1)

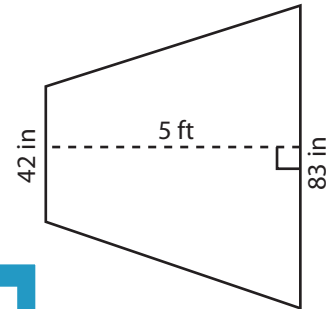


Area = 99

2)

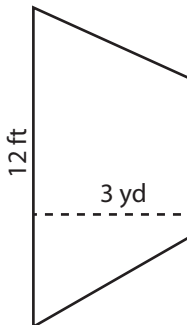


3)



Area = 3,750 in²

4)



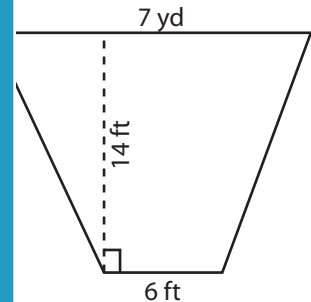
Area = 81

Gain complete access to the largest collection of worksheets in all subjects!

Members, please log in to download this worksheet.

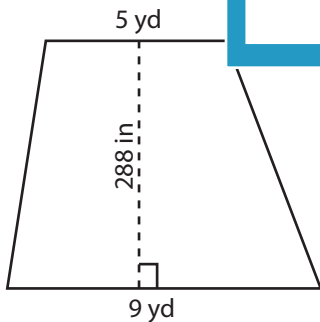
Not a member? Please sign up to gain complete access.

www.mathworksheets4kids.com

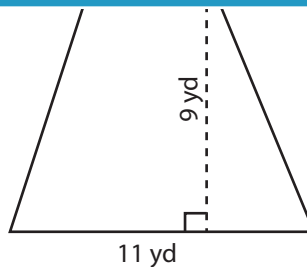


Area = 189 ft²

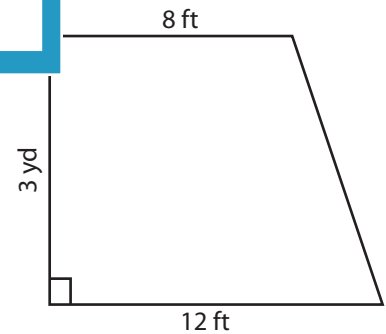
7)



Area = 56 yd²



Area = 63 yd²



Area = 90 ft²