

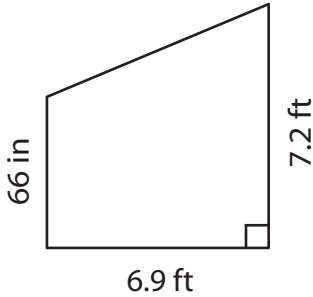
Name : \_\_\_\_\_

## Trapezoid – Area

T2S1

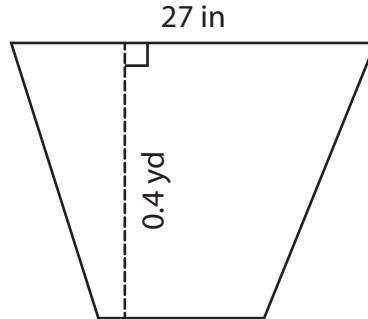
Find the area of each trapezoid. Round your answer to two decimal places.

1)

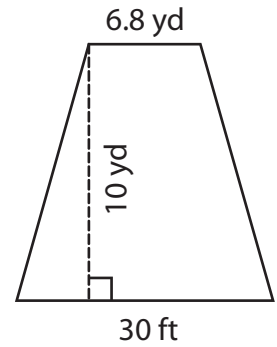


Area = \_\_\_\_\_ ft<sup>2</sup>

2)

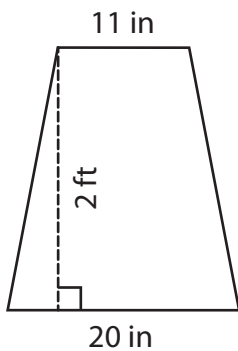


3)



Area = \_\_\_\_\_ yd<sup>2</sup>

4)



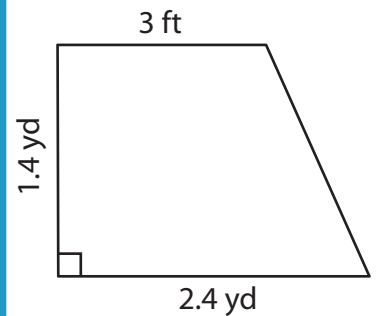
Area = \_\_\_\_\_ in<sup>2</sup>

Gain complete access to the largest collection of worksheets in all subjects!

Members, please log in to download this worksheet.

Not a member? Please sign up to gain complete access.

[www.mathworksheets4kids.com](http://www.mathworksheets4kids.com)



Area = \_\_\_\_\_ ft<sup>2</sup>

7) The sum of the parallel Determine the area of t

6 inches respectively.

8) The perpendicular distance between the bases of a trapezoid is 5 feet. If the lengths of the bases are 62 inches and 6 feet, what is the area of a trapezoid in square inches?

Name : \_\_\_\_\_

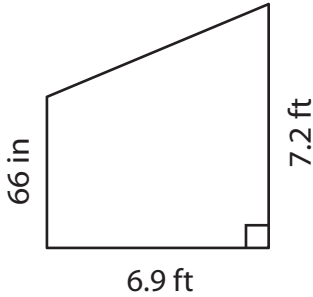
## Answer key

### Trapezoid – Area

T2S1

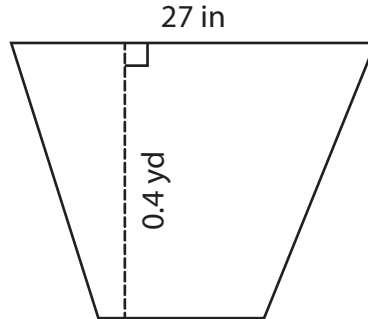
Find the area of each trapezoid. Round your answer to two decimal places.

1)

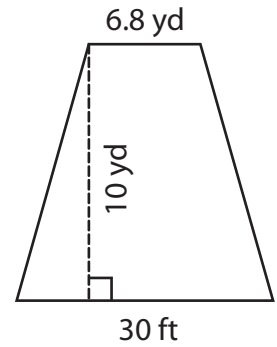


Area = 43.82 ft<sup>2</sup>

2)

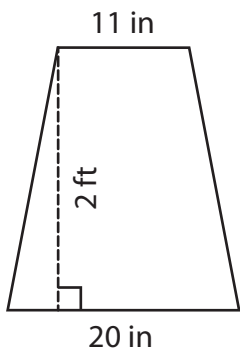


3)



Area = 84 yd<sup>2</sup>

4)



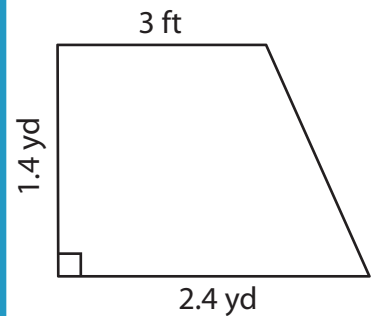
Area = 372 in<sup>2</sup>

Gain complete access to the largest collection of worksheets in all subjects!

Members, please log in to download this worksheet.

Not a member? Please sign up to gain complete access.

[www.mathworksheets4kids.com](http://www.mathworksheets4kids.com)



Area = 21.42 ft<sup>2</sup>

7) The sum of the parallel Determine the area of t

6 inches respectively.

4 square yards

8) The perpendicular distance between the bases of a trapezoid is 5 feet. If the lengths of the bases are 62 inches and 6 feet, what is the area of a trapezoid in square inches?

4,020 square inches