

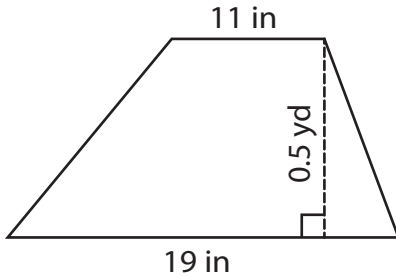
Name : \_\_\_\_\_

## Trapezoid – Area

T2S2

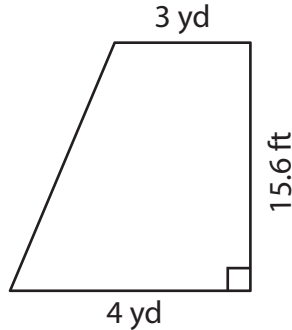
Find the area of each trapezoid. Round your answer to two decimal places.

1)



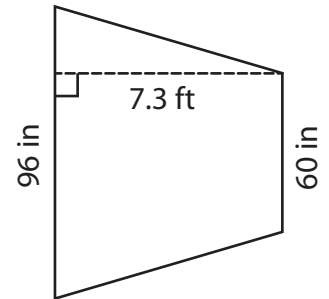
Area = \_\_\_\_\_ in<sup>2</sup>

2)

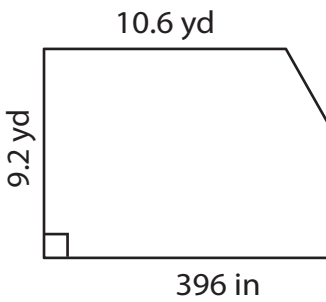


Area = \_\_\_\_\_ ft<sup>2</sup>

3)



4)



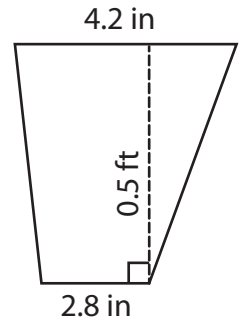
Area = \_\_\_\_\_ yd<sup>2</sup>

**PREVIEW**  
Gain complete access to the largest collection of worksheets in all subjects!

Members, please log in to download this worksheet.

Not a member? Please sign up to gain complete access.

[www.mathworksheets4kids.com](http://www.mathworksheets4kids.com)



Area = \_\_\_\_\_ in<sup>2</sup>

7) The height of a trapezoid is 120 inches, and the area of the trapezoid is 12000 square inches. Find the lengths of the parallel bases.

\_\_\_\_\_ and 120 inches, find the area

8) The lengths of the parallel bases of a trapezoid are 0.3 yards and 0.5 yards. Determine the area of the trapezoid in square inches, if the height is 6 inches.

Name : \_\_\_\_\_

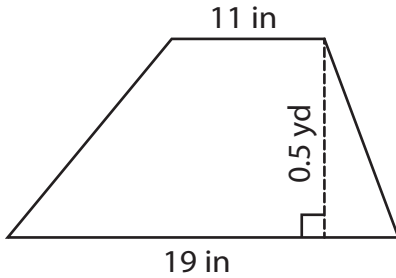
## Answer key

### Trapezoid – Area

T2S2

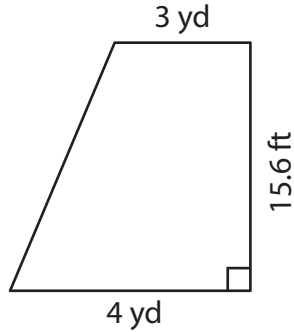
Find the area of each trapezoid. Round your answer to two decimal places.

1)



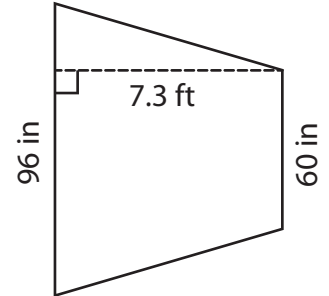
Area = 270 in<sup>2</sup>

2)

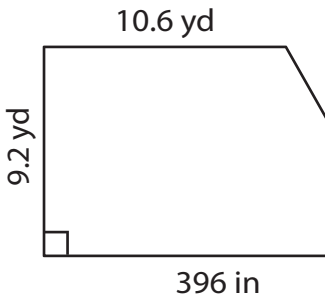


Area = 47.45 ft<sup>2</sup>

3)



4)



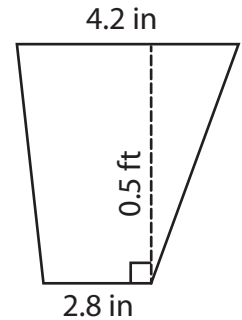
Area = 99.36 yd<sup>2</sup>

Gain complete access to the largest collection of worksheets in all subjects!

Members, please log in to download this worksheet.

Not a member? Please sign up to gain complete access.

[www.mathworksheets4kids.com](http://www.mathworksheets4kids.com)



Area = 21 in<sup>2</sup>

7) The height of a trapezoid is 120 inches, find the area of the trapezoid in square feet.

and 120 inches, find the area

89.67 square feet

8) The lengths of the parallel bases of a trapezoid are 0.3 yards and 0.5 yards. Determine the area of the trapezoid in square inches, if the height is 6 inches.

86.4 square inches