

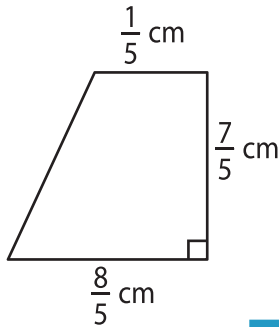
Name : \_\_\_\_\_

## Trapezoid – Area

T2S1

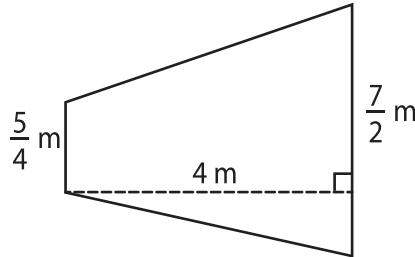
Find the area of each trapezoid.

1)



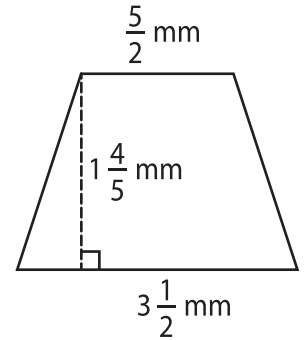
Area = \_\_\_\_\_

2)



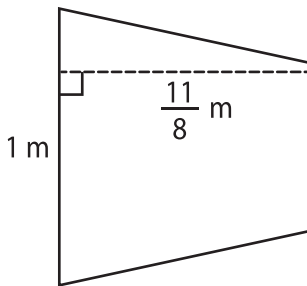
Area = \_\_\_\_\_

3)



Area = \_\_\_\_\_

4)



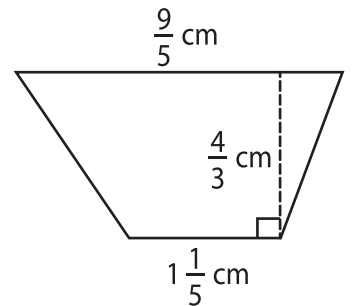
Area = \_\_\_\_\_

**PREVIEW**  
Gain complete access to the largest collection of worksheets in all subjects!

Members, please log in to download this worksheet.

Not a member? Please sign up to gain complete access.

[www.mathworksheets4kids.com](http://www.mathworksheets4kids.com)



Area = \_\_\_\_\_

7) The height of a trapezoid is  $1\frac{1}{2}$  mm, what is the area of the trapezoid?

\_\_\_\_\_

8) The sum of the bases and the height of a trapezoid are  $\frac{13}{9}$  m and 3 m respectively. Determine the area of the trapezoid.

\_\_\_\_\_