

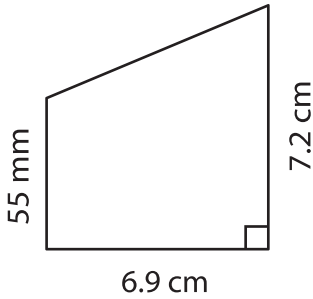
Name : \_\_\_\_\_

## Trapezoid – Area

T2S1

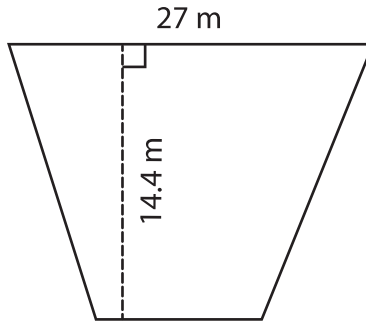
Find the area of each trapezoid. Round your answer to two decimal places.

1)

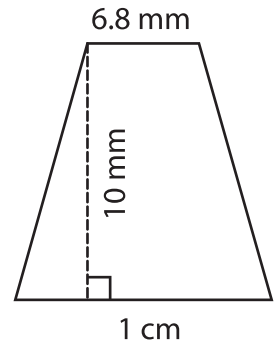


Area = \_\_\_\_\_ cm

2)

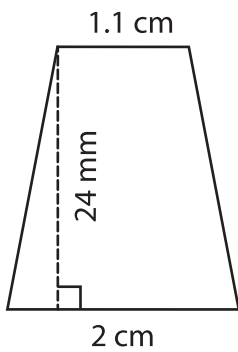


3)



Area = \_\_\_\_\_ mm<sup>2</sup>

4)



Area = \_\_\_\_\_ m

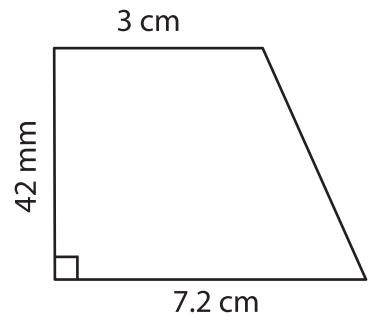
**PREVIEW**

Gain complete access to the largest collection of worksheets in all subjects!

Members, please log in to download this worksheet.

Not a member? Please sign up to gain complete access.

[www.mathworksheets4kids.com](http://www.mathworksheets4kids.com)



Area = \_\_\_\_\_ cm<sup>2</sup>

7) The sum of the parallel  
Determine the area of t

mm respectively.

8) The perpendicular distance between the bases of a trapezoid is 6,000 cm. If the lengths of the bases are 62 m and 7,200 cm, what is the area of a trapezoid in square metres?