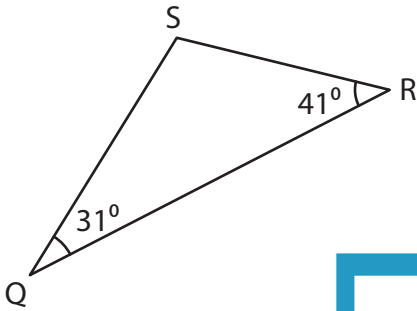


# Triangle - Interior Angles

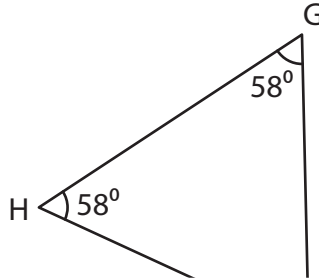
Find the measure of the indicated angle in each triangle.

1)

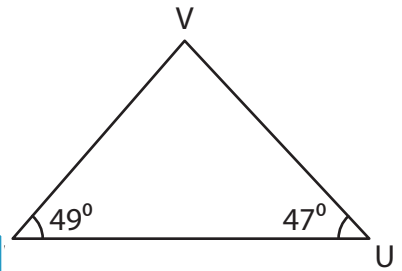


$m\angle S =$  \_\_\_\_\_

2)

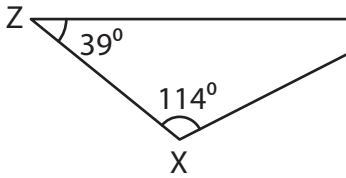


3)



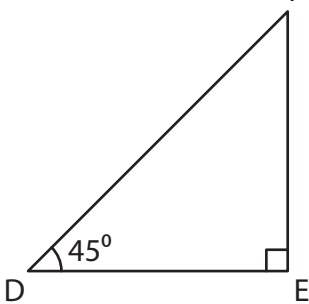
$m\angle V =$  \_\_\_\_\_

4)

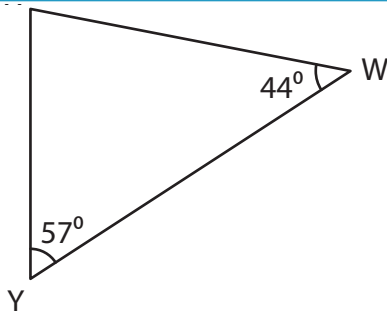


$m\angle Y =$  \_\_\_\_\_

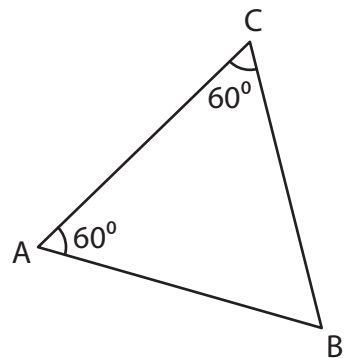
7)



$m\angle F =$  \_\_\_\_\_



$m\angle X =$  \_\_\_\_\_



$m\angle B =$  \_\_\_\_\_

**PREVIEW**

Gain complete access to the largest collection of worksheets in all subjects!

Members, please log in to download this worksheet.

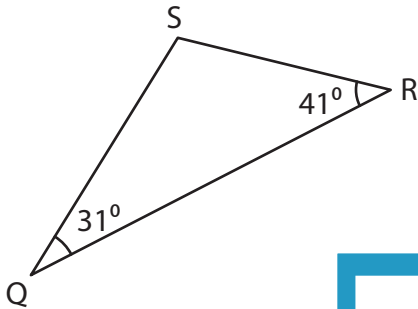
Not a member? Please sign up to gain complete access.

[www.mathworksheets4kids.com](http://www.mathworksheets4kids.com)

# Triangle - Interior Angles

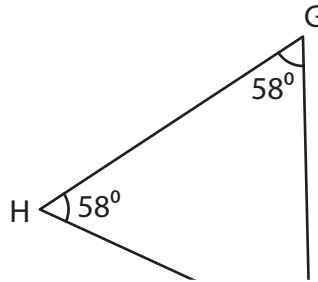
Find the measure of the indicated angle in each triangle.

1)

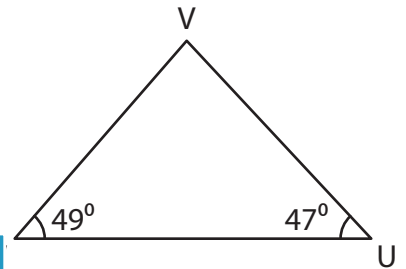


$$m\angle S = \underline{108^\circ}$$

2)

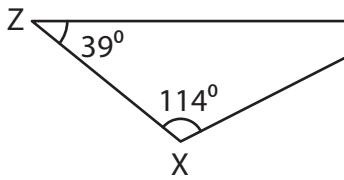


3)



$$m\angle V = \underline{84^\circ}$$

4)



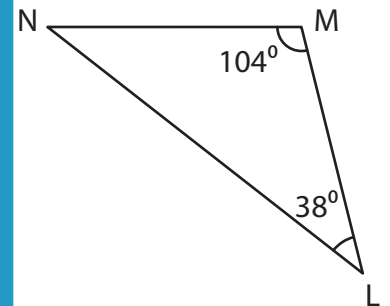
$$m\angle Y = \underline{27^\circ}$$

Gain complete access to the largest collection of worksheets in all subjects!

Members, please log in to download this worksheet.

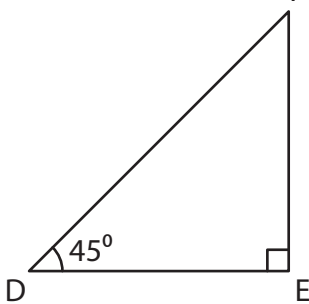
Not a member? Please sign up to gain complete access.

[www.mathworksheets4kids.com](http://www.mathworksheets4kids.com)

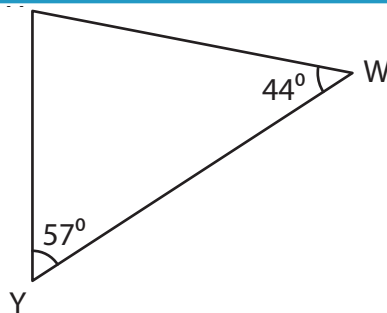


$$m\angle N = \underline{38^\circ}$$

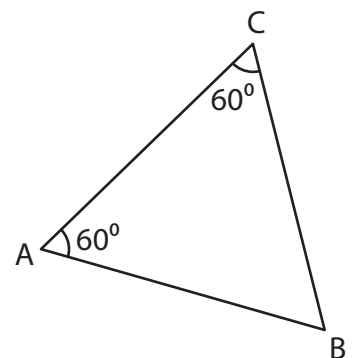
7)



$$m\angle F = \underline{45^\circ}$$



$$m\angle X = \underline{79^\circ}$$



$$m\angle B = \underline{60^\circ}$$