

Name : _____

Centroid of a Triangle

Sheet 1

A) Find the centroid of each triangle with the given vertices.

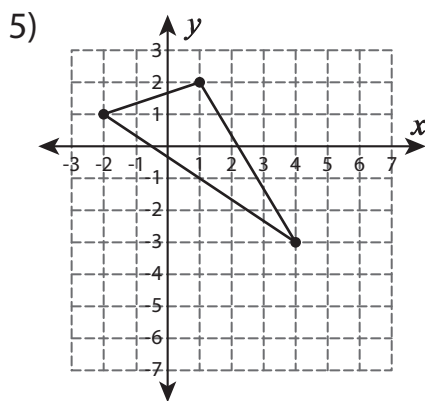
1) $A(7, -10)$, $B(-3, 4)$ and $C(8, -9)$

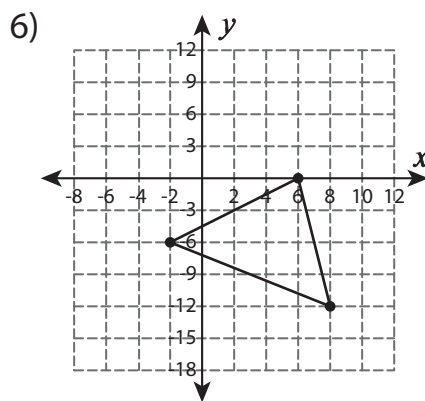
2) $T(-2, 4)$, $U(-5, -12)$ and $V(-11, 0)$

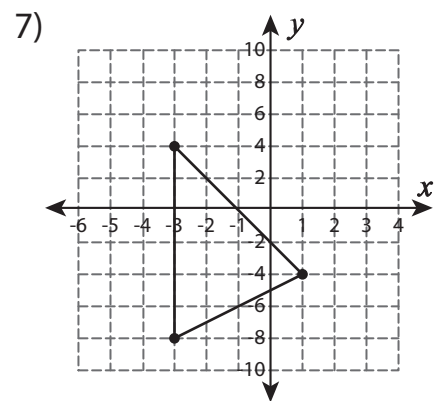
3) $Q(-8, 7)$, $R(2, -1)$ and $S(-9, 15)$

4) $D(5, 13)$, $E(0, 9)$ and $F(4, 5)$

B) Find the centroid of each triangle.







C) The vertices of $\triangle KLM$ are $K(2, -3)$, $L(-1, -9)$ and $M(0, -6)$. Find the centroid of $\triangle KLM$.

Name : _____

Answer key

Sheet 1

Centroid of a Triangle

A) Find the centroid of each triangle with the given vertices.

1) $A(7, -10)$, $B(-3, 4)$ and $C(8, -9)$

$(4, -5)$

2) $T(-2, 4)$, $U(-5, -12)$ and $V(-11, 0)$

$(-6, -\frac{8}{3})$

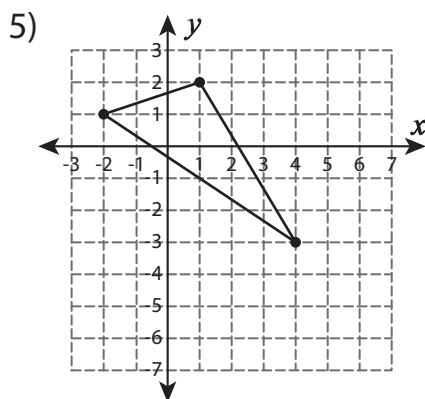
3) $Q(-8, 7)$, $R(2, -1)$ and $S(-9, 15)$

$(-5, 7)$

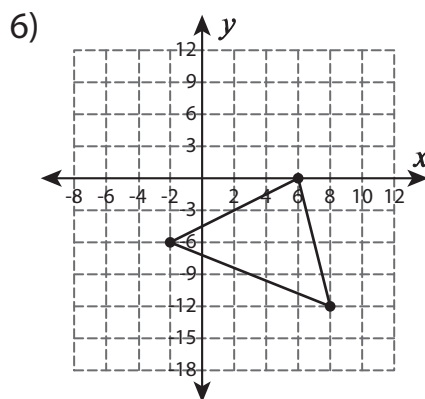
4) $D(5, 13)$, $E(0, 9)$ and $F(4, 5)$

$(3, 9)$

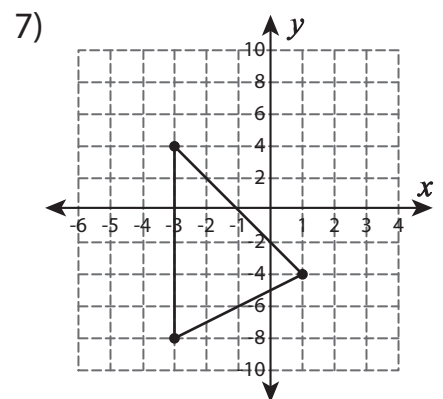
B) Find the centroid of each triangle.



$(1, 0)$



$(4, -6)$



$(-\frac{5}{3}, -\frac{8}{3})$

C) The vertices of ΔKLM are $K(2, -3)$, $L(-1, -9)$ and $M(0, -6)$. Find the centroid of ΔKLM .

$(\frac{1}{3}, -6)$