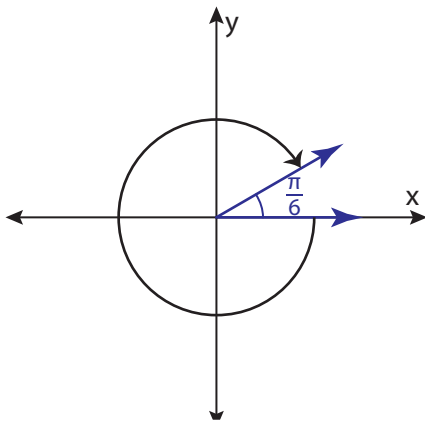
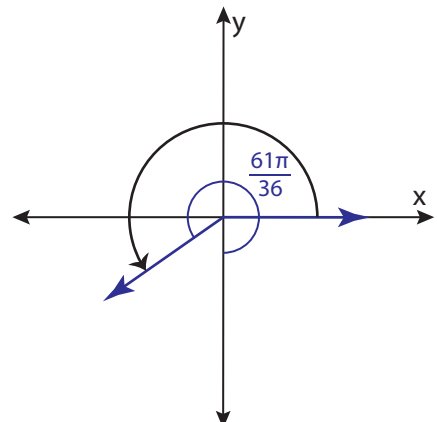


Find the measure of each indicated angle.

1)



2)



3)

PREVIEW

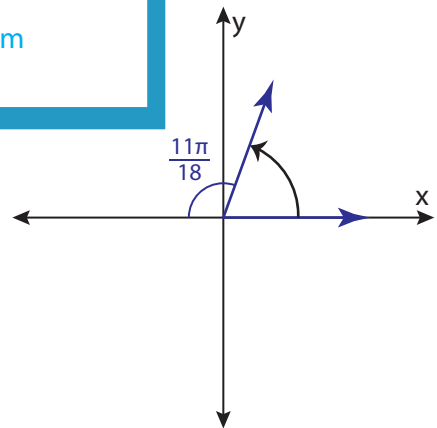
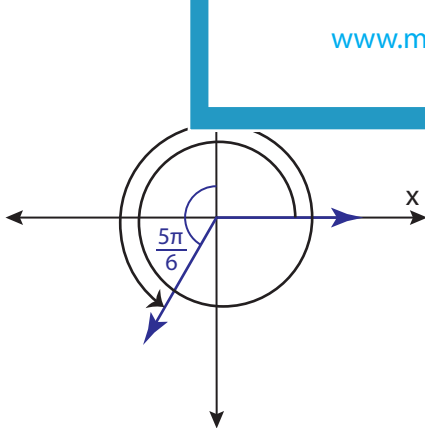
Gain complete access to the largest collection of worksheets in all subjects!

Members, please log in to download this worksheet.

Not a member? Please sign up to gain complete access.

www.mathworksheets4kids.com

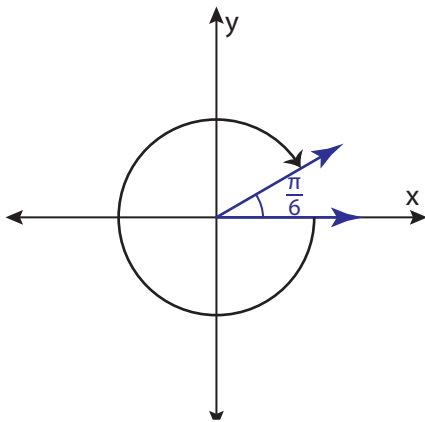
5)



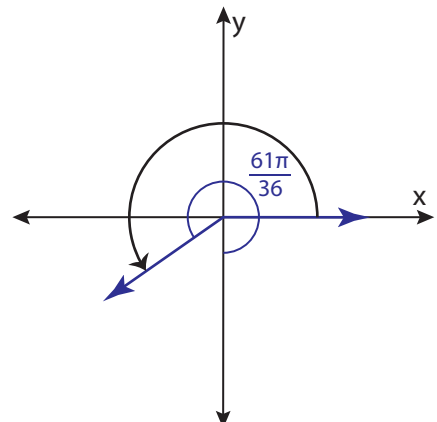
Angles - Radians

Find the measure of each indicated angle.

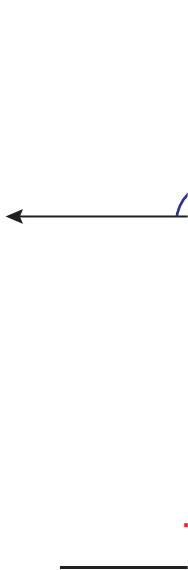
1)



2)



3)



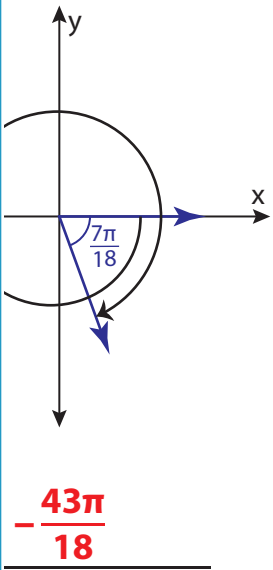
PREVIEW

Gain complete access to the largest collection of worksheets in all subjects!

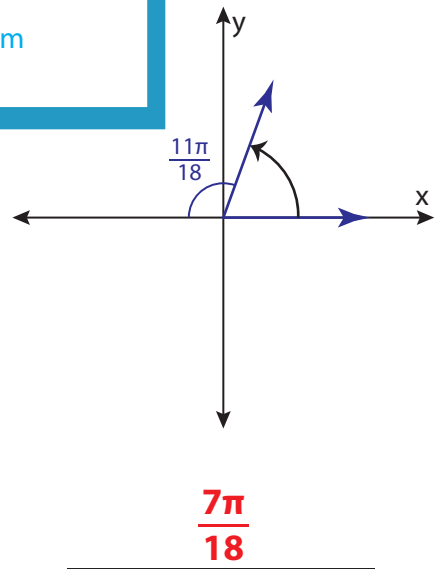
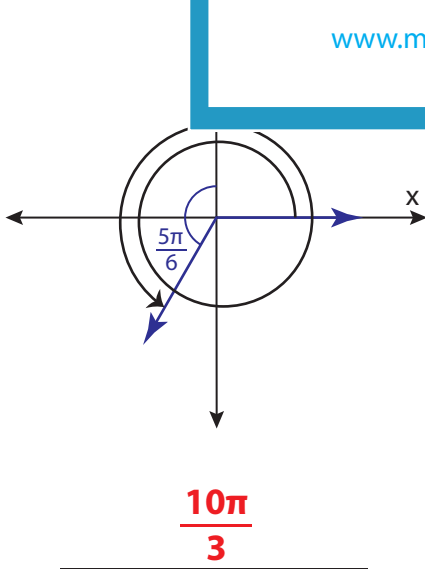
Members, please log in to download this worksheet.

Not a member? Please sign up to gain complete access.

www.mathworksheets4kids.com



5)



$\frac{10\pi}{3}$

$\frac{7\pi}{18}$