

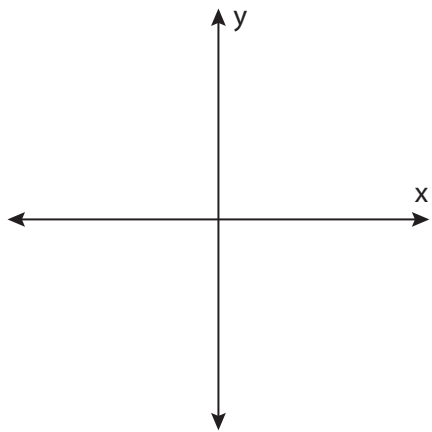
Name : _____

Draw an Angle

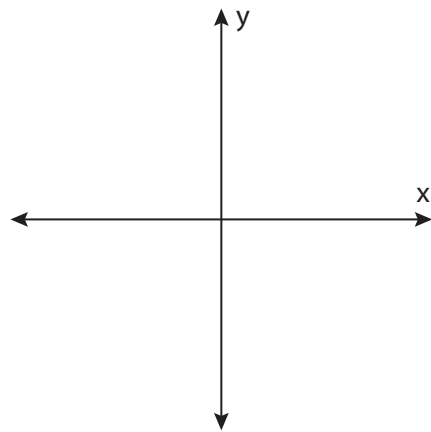
Sheet 1

Draw an angle with the given measure in standard position.

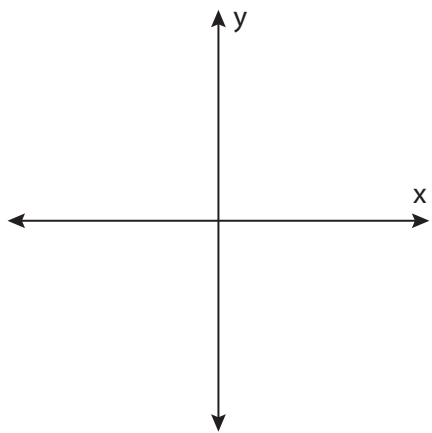
1) 710°



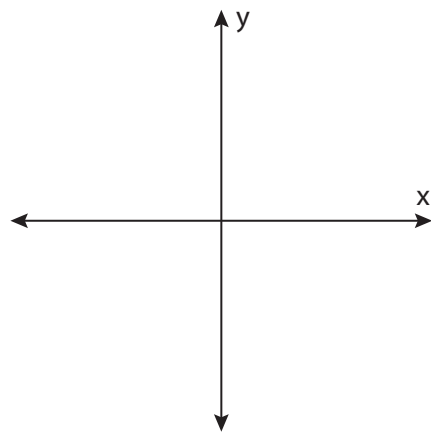
2) -165°



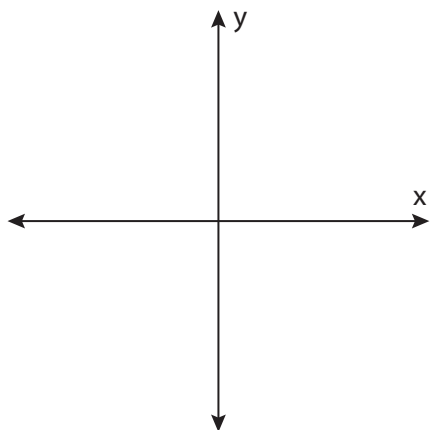
3) $\frac{2\pi}{3}$



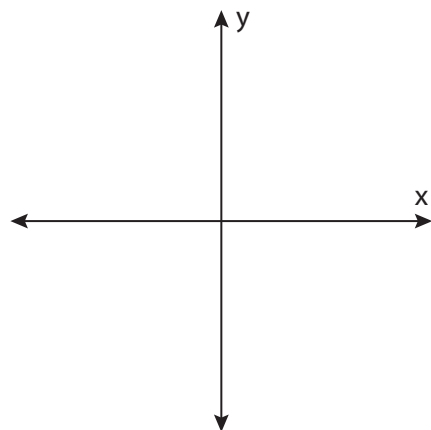
4) $-\frac{\pi}{4}$



5) 259°



6) $\frac{\pi}{3}$



Name : _____

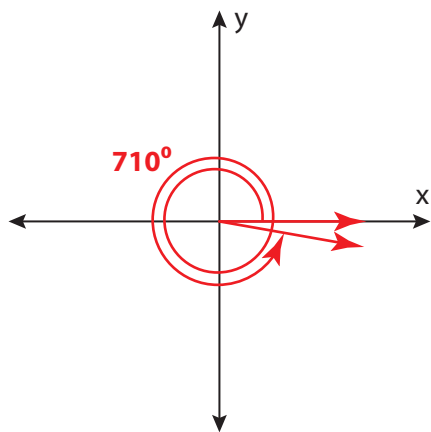
Answer key

Draw an Angle

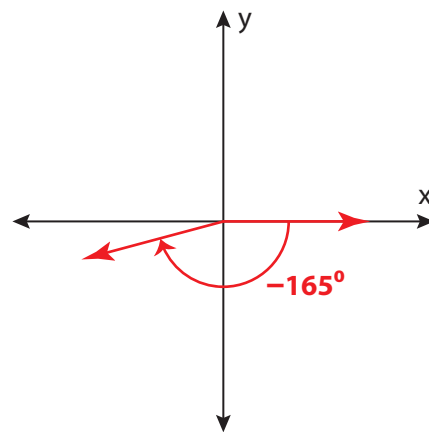
Sheet 1

Draw an angle with the given measure in standard position.

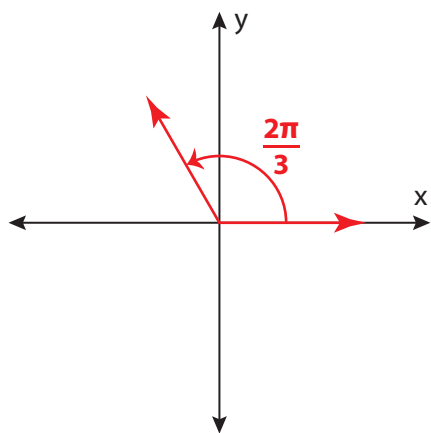
1) 710°



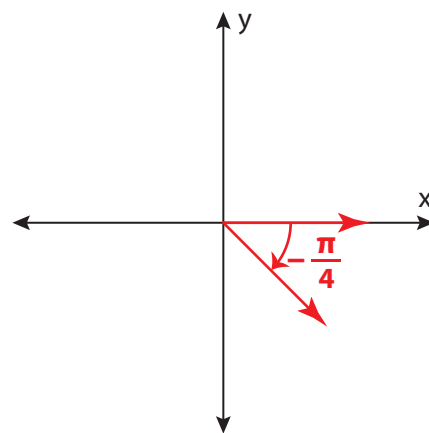
2) -165°



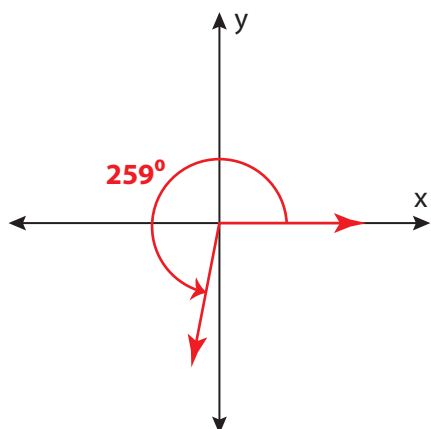
3) $\frac{2\pi}{3}$



4) $-\frac{\pi}{4}$



5) 259°



6) $\frac{\pi}{3}$

