

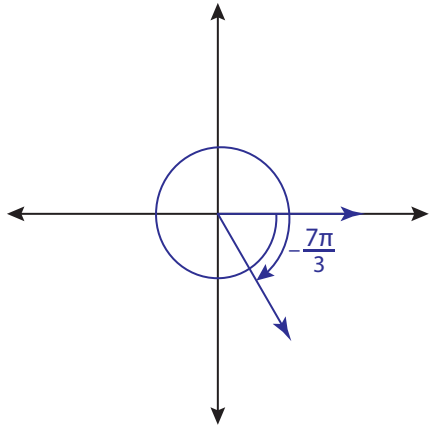
Name : \_\_\_\_\_

## Coterminal Angles - Radians

Sheet 1

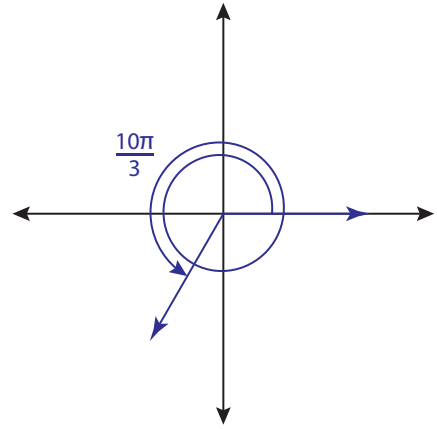
Find the coterminal angle between 0 and  $2\pi$  for each angle.

1)



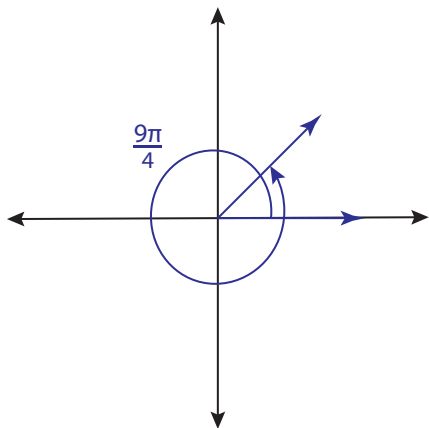
\_\_\_\_\_

2)



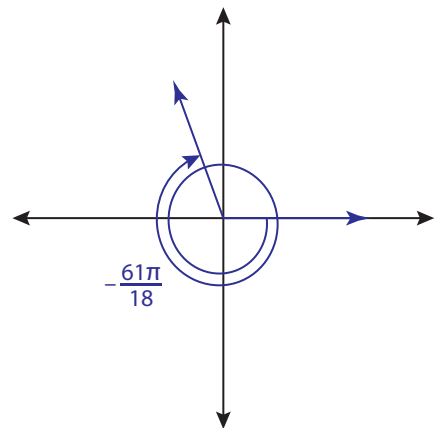
\_\_\_\_\_

3)



\_\_\_\_\_

4)



\_\_\_\_\_

5)  $-\frac{19\pi}{18}$

\_\_\_\_\_

6)  $\frac{7\pi}{2}$

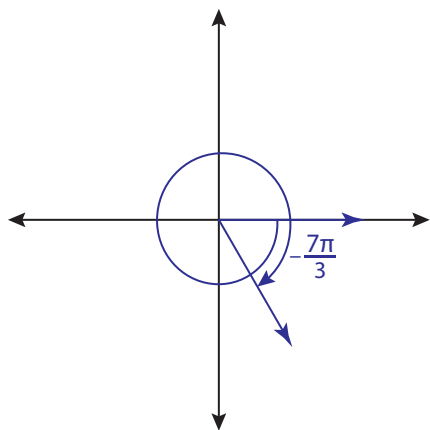
\_\_\_\_\_

7)  $-\frac{3\pi}{20}$

\_\_\_\_\_

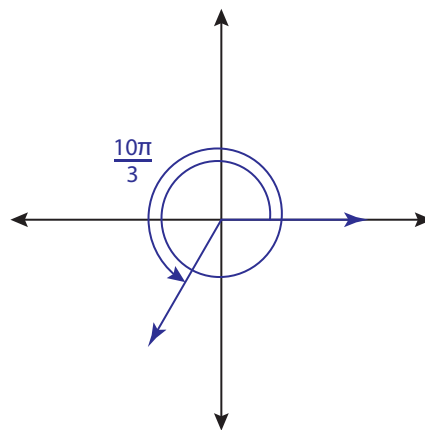
**Coterminal Angles - Radians**Find the coterminal angle between 0 and  $2\pi$  for each angle.

1)



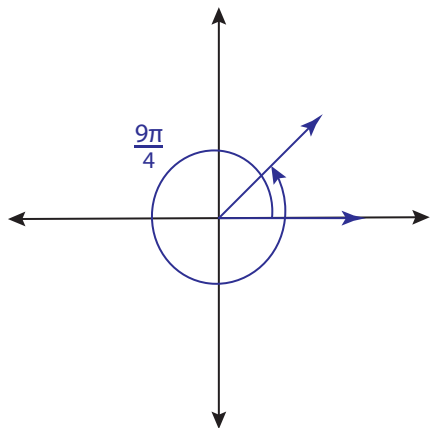
$$\underline{\underline{\frac{5\pi}{3}}}$$

2)



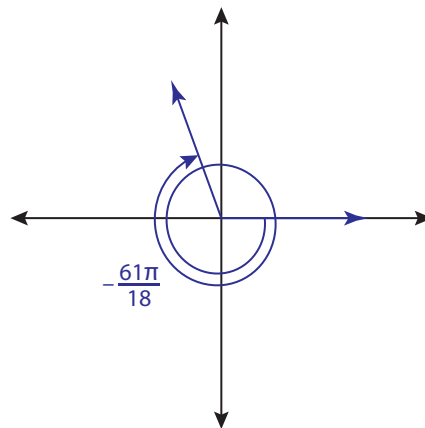
$$\underline{\underline{\frac{4\pi}{3}}}$$

3)



$$\underline{\underline{\frac{\pi}{4}}}$$

4)



$$\underline{\underline{\frac{11\pi}{18}}}$$

5)  $-\frac{19\pi}{18}$

6)  $\frac{7\pi}{2}$

7)  $-\frac{3\pi}{20}$

$$\underline{\underline{\frac{17\pi}{18}}}$$

$$\underline{\underline{\frac{3\pi}{2}}}$$

$$\underline{\underline{\frac{37\pi}{20}}}$$