

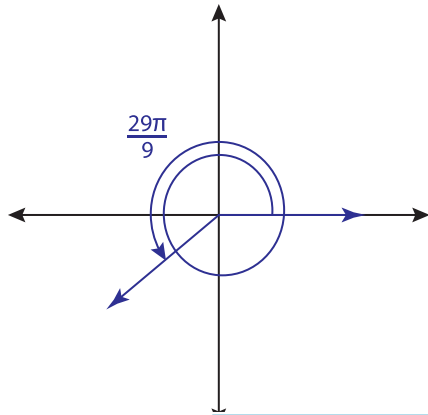
Name : _____

Coterminal Angles - Radians

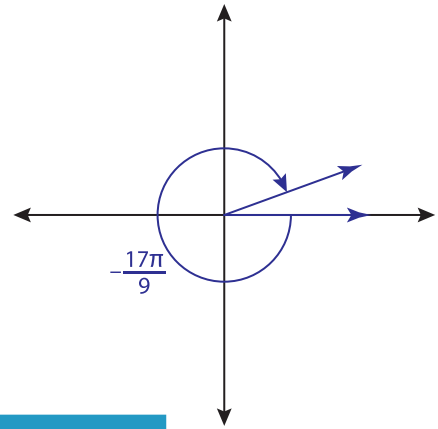
Sheet 2

Find the coterminal angle between 0 and 2π for each angle.

1)



2)



3)

5)

$$\frac{94\pi}{45}$$

6)

$$-\frac{11\pi}{6}$$

7)

$$\frac{23\pi}{9}$$
