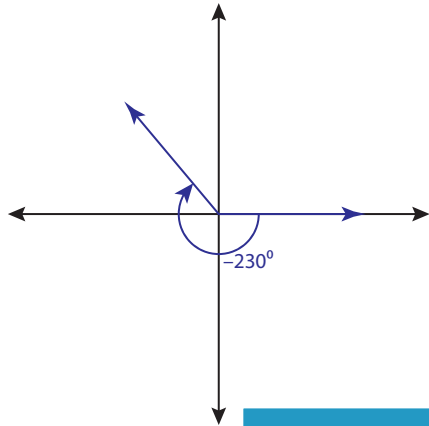


Positive and Negative Coterminal Angles

Find the positive and negative coterminal angles for each indicated angle. Show them on the coordinate plane.

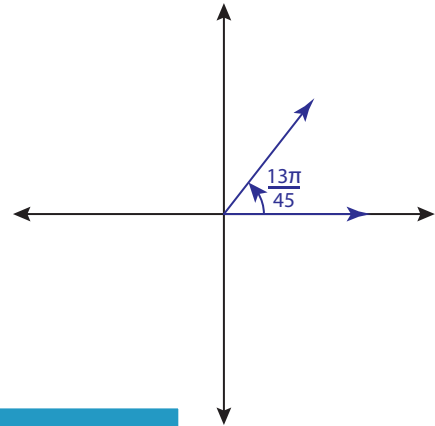
1)



Positive coterminal angle: _____

Negative coterminal angle: _____

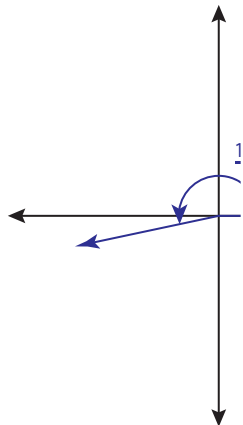
2)



Positive coterminal angle: _____

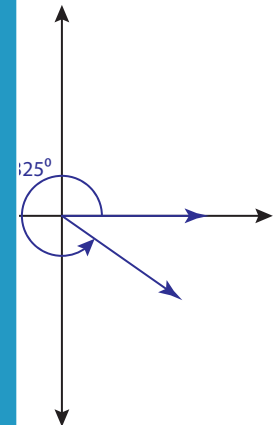
Negative coterminal angle: _____

3)



Positive coterminal angle: _____

Negative coterminal angle: _____



Positive coterminal angle: _____

Negative coterminal angle: _____

PREVIEW

Gain complete access to the largest collection of worksheets in all subjects!

Members, please log in to download this worksheet.

Not a member? Please sign up to gain complete access.

www.mathworksheets4kids.com

5) 80°

Positive coterminal angle: _____

Negative coterminal angle: _____

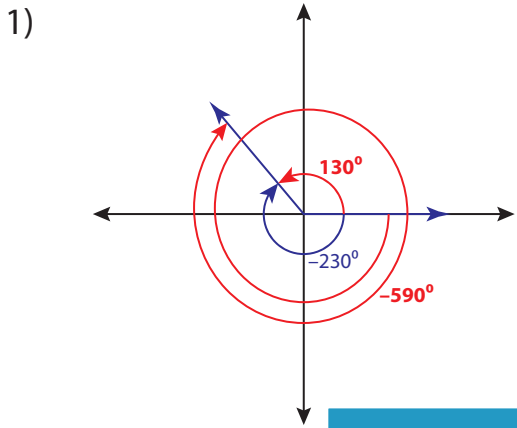
6) $-\frac{3\pi}{2}$

Positive coterminal angle: _____

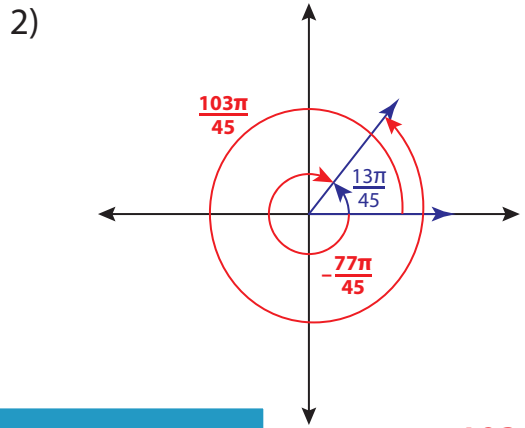
Negative coterminal angle: _____

Positive and Negative Coterminal Angles

Find the positive and negative coterminal angles for each indicated angle. Show them on the coordinate plane.



Positive coterminal angle: _____
 Negative coterminal angle: _____



Positive coterminal angle: $\frac{103\pi}{45}$
 Negative coterminal angle: $-\frac{77\pi}{45}$

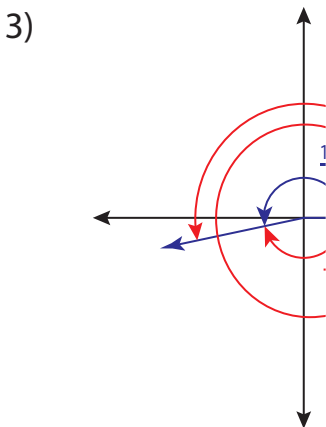
PREVIEW

Gain complete access to the largest collection of worksheets in all subjects!

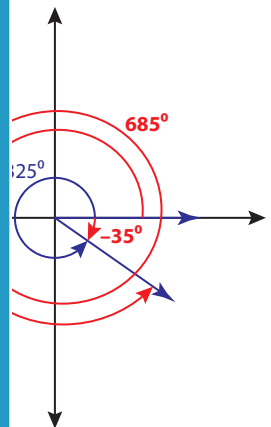
Members, please log in to download this worksheet.

Not a member? Please sign up to gain complete access.

www.mathworksheets4kids.com



Positive coterminal angle: _____
 Negative coterminal angle: _____



Positive coterminal angle: 685°
 Negative coterminal angle: -35°

5) 80°

$80^\circ \pm 360^\circ$

Positive coterminal angle: 440°
 Negative coterminal angle: -280°

6) $-\frac{3\pi}{2}$

$-\frac{3\pi}{2} \pm 2\pi$

Positive coterminal angle: $\frac{\pi}{2}$
 Negative coterminal angle: $-\frac{7\pi}{2}$