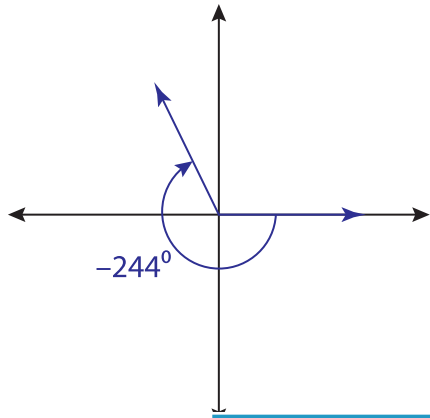


Name : \_\_\_\_\_

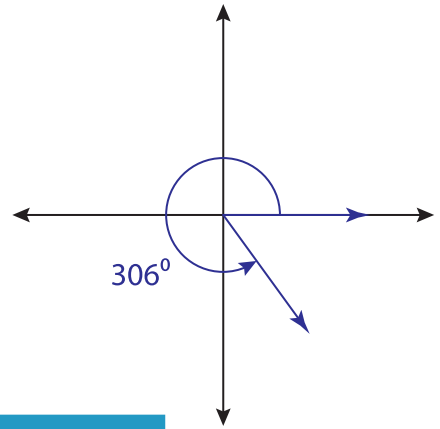
# Reference Angles - Degrees

Find the reference angle.

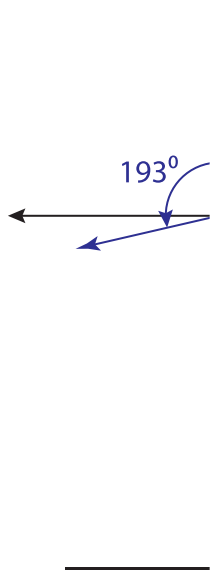
1)



2)



3)



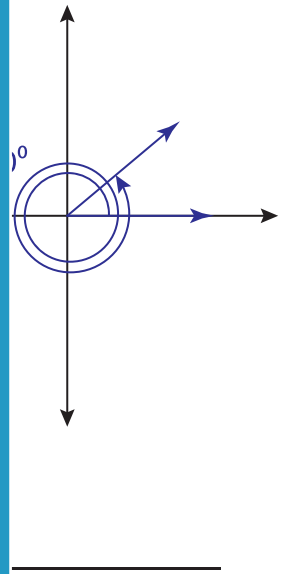
**PREVIEW**

Gain complete access to the largest collection of worksheets in all subjects!

Members, please log in to download this worksheet.

Not a member? Please sign up to gain complete access.

[www.mathworksheets4kids.com](http://www.mathworksheets4kids.com)



5)  $128^\circ$

\_\_\_\_\_

6)  $640^\circ$

\_\_\_\_\_

7)  $-247^\circ$

\_\_\_\_\_