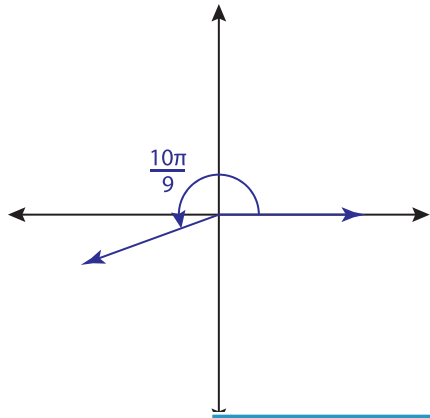


Name : \_\_\_\_\_

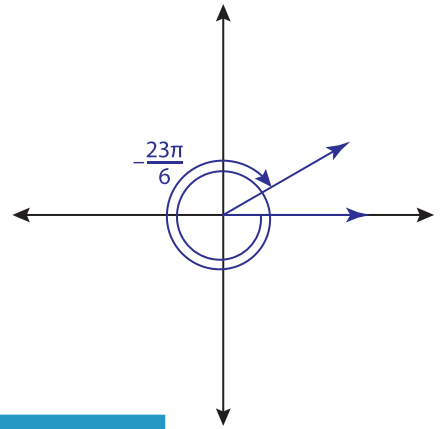
# Reference Angles - Radians

Find the reference angle.

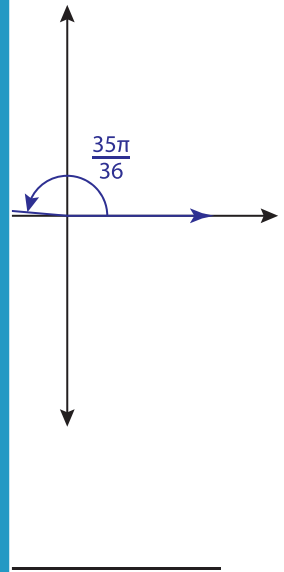
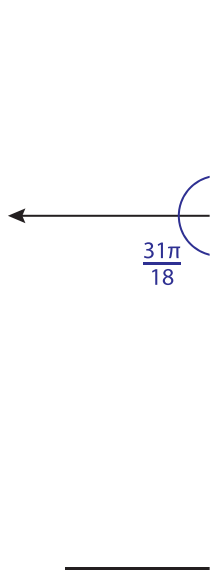
1)



2)



3)



**PREVIEW**

Gain complete access to the largest collection of worksheets in all subjects!

Members, please log in to download this worksheet.

Not a member? Please sign up to gain complete access.

[www.mathworksheets4kids.com](http://www.mathworksheets4kids.com)

5)

$$\frac{32\pi}{9}$$

\_\_\_\_\_

6)

$$-\frac{2\pi}{18}$$

\_\_\_\_\_

7)

$$\frac{37\pi}{45}$$

\_\_\_\_\_