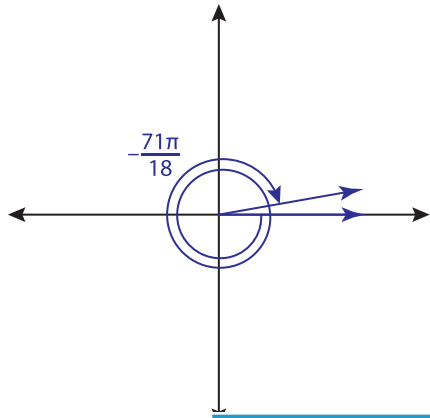


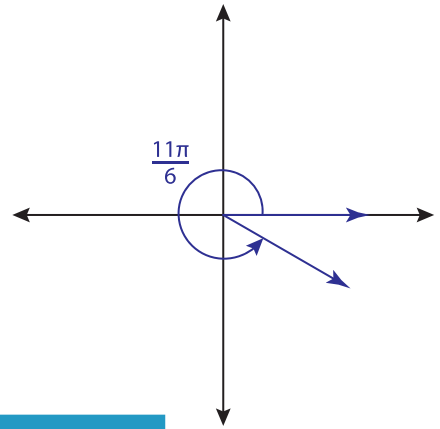
Reference Angles - Radians

Find the reference angle.

1)



2)



3)

PREVIEW

Gain complete access to the largest collection of worksheets in all subjects!

Members, please log in to download this worksheet.

Not a member? Please sign up to gain complete access.

www.mathworksheets4kids.com

5) $\frac{67\pi}{36}$

6) $-\frac{10\pi}{9}$

7) $-\frac{7\pi}{6}$

