

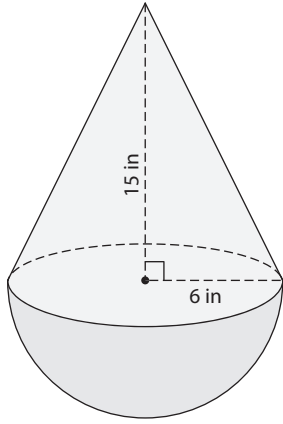
Name : _____

Volume - Composite Shapes

L1S1

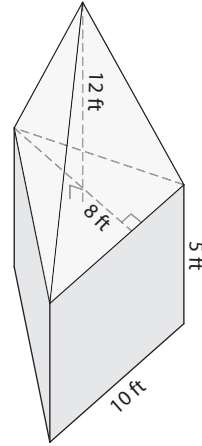
Find the volume of each solid shape. Round your answer to two decimal places. (use $\pi = 3.14$)

1)



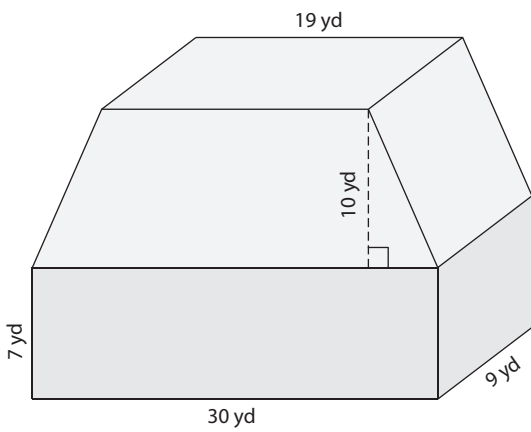
Volume = _____

2)



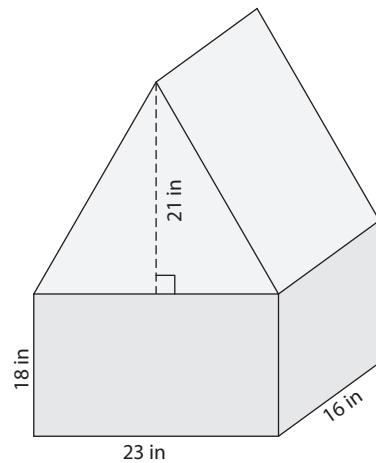
Volume = _____

3)



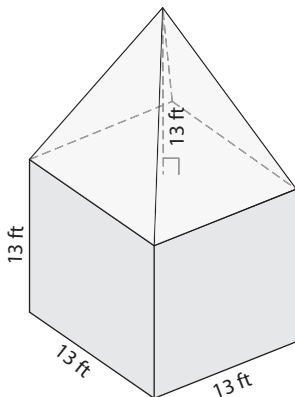
Volume = _____

4)



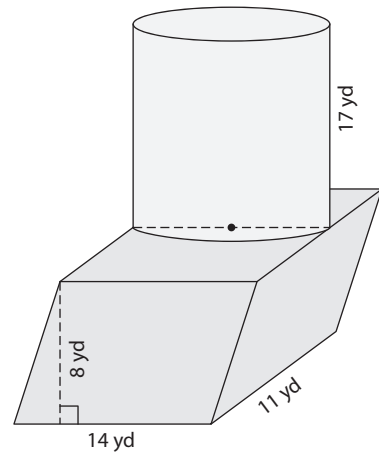
Volume = _____

5)



Volume = _____

6)



Volume = _____

Name : _____

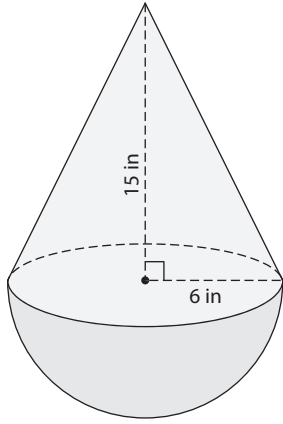
Answer key

Volume - Composite Shapes

L1S1

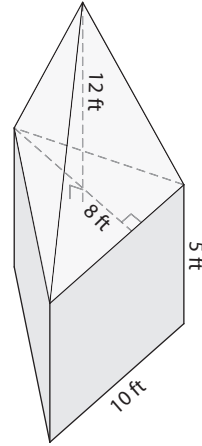
Find the volume of each solid shape. Round your answer to two decimal places. (use $\pi = 3.14$)

1)



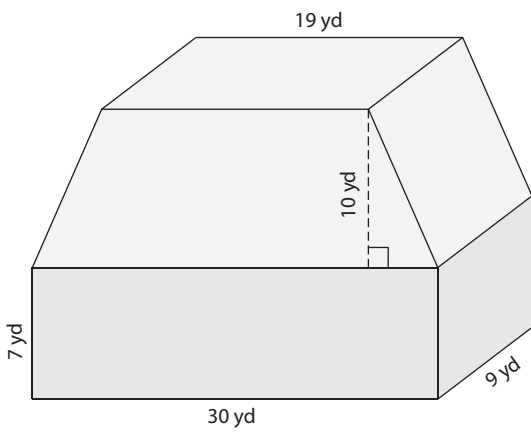
Volume = 1,017.36 in³

2)



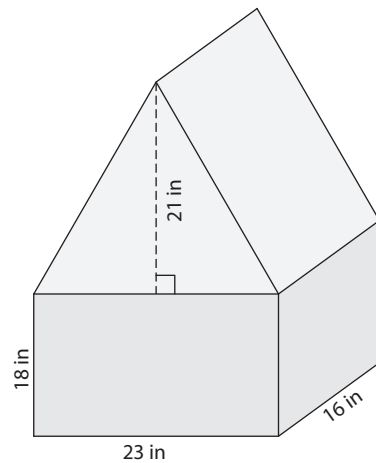
Volume = 360 ft³

3)



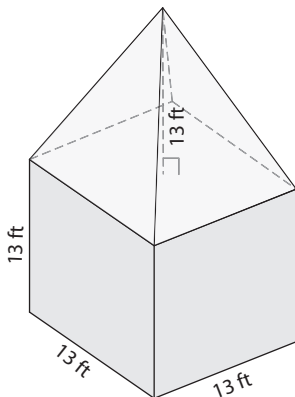
Volume = 4,095 yd³

4)



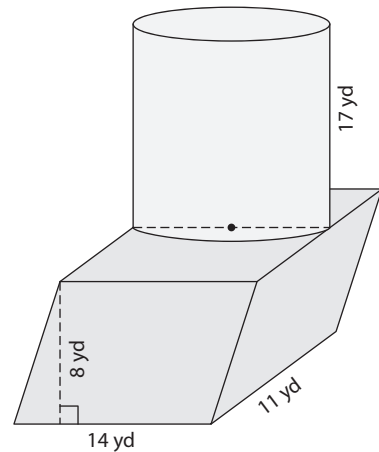
Volume = 10,488 in³

5)



Volume = 2,929.33 ft³

6)



Volume = 3,847.62 yd³