

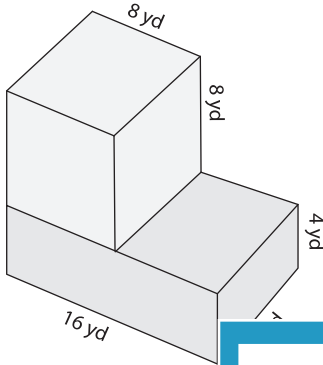
Name : _____

Volume - Composite Shapes

L1S3

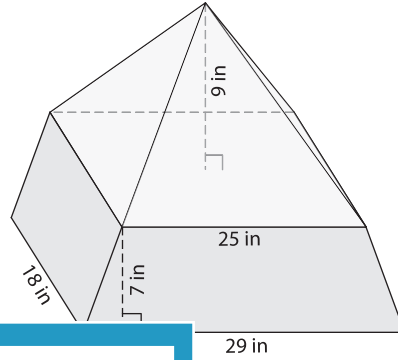
Find the volume of each solid shape. Round your answer to two decimal places. (use $\pi = 3.14$)

1)



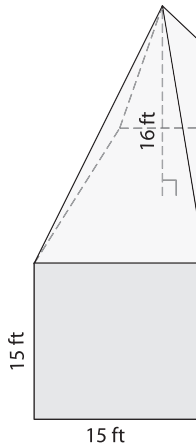
Volume = _____

2)



Volume = _____

3)



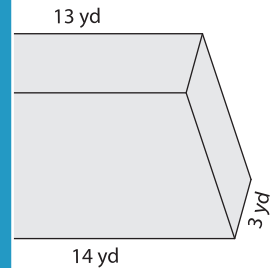
Volume = _____

Gain complete access to the largest collection of worksheets in all subjects!

Members, please log in to download this worksheet.

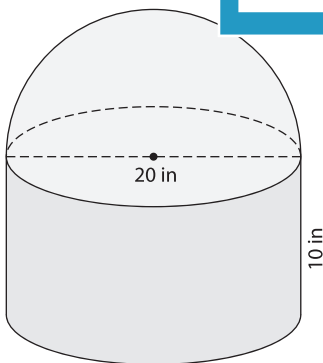
Not a member? Please sign up to gain complete access.

www.mathworksheets4kids.com

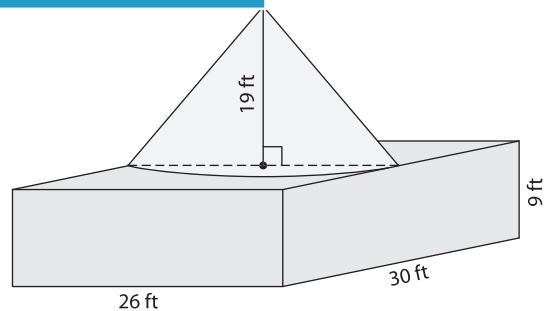


Volume = _____

5)



Volume = _____



Volume = _____