

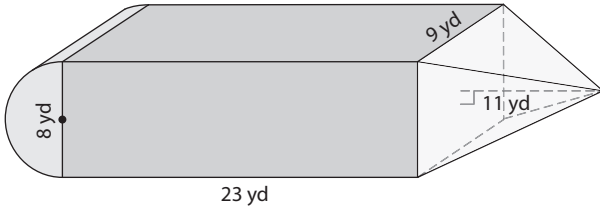
Name : _____

Volume - Composite Shapes

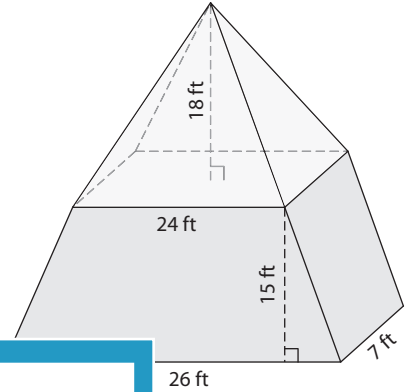
L2S1

Find the volume of each solid shape. Round your answer to two decimal places. (use $\pi = 3.14$)

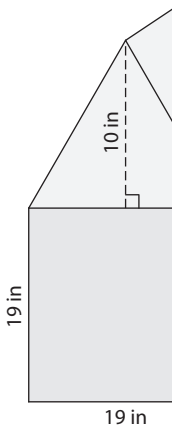
1)



2)



3)

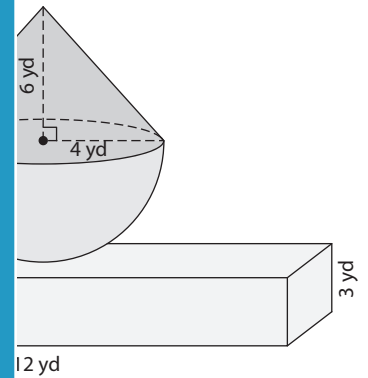


Gain complete access to the largest collection of worksheets in all subjects!

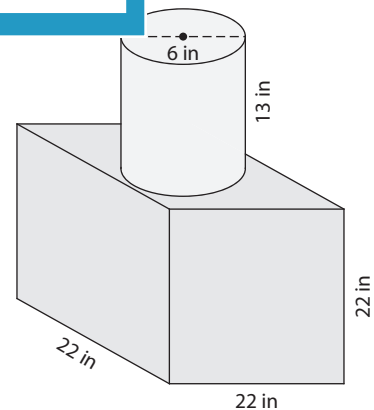
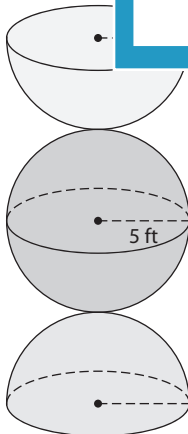
Members, please log in to download this worksheet.

Not a member? Please sign up to gain complete access.

www.mathworksheets4kids.com



5)



Name : _____

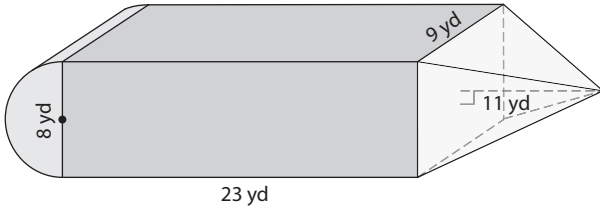
Answer key

L2S1

Volume - Composite Shapes

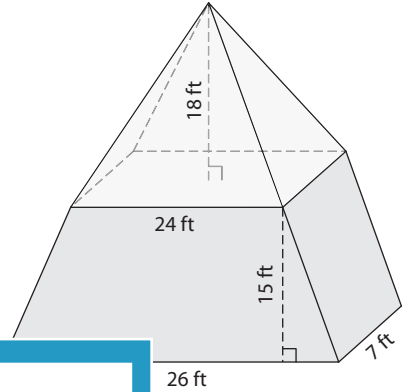
Find the volume of each solid shape. Round your answer to two decimal places. (use $\pi = 3.14$)

1)



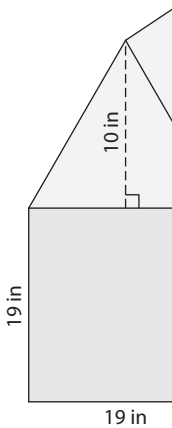
Volume = 2,100.86

2)



Volume = 3,633 ft³

3)



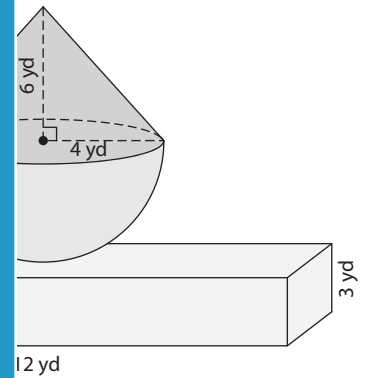
Volume = 6,100.51

Gain complete access to the largest collection of worksheets in all subjects!

Members, please log in to download this worksheet.

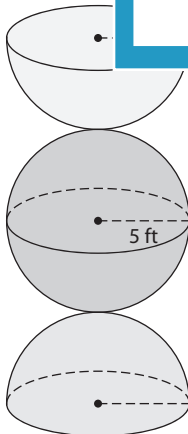
Not a member? Please sign up to gain complete access.

www.mathworksheets4kids.com

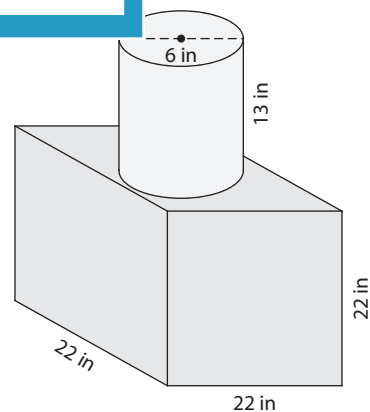


Volume = 306.45 yd³

5)



Volume = 1,046.67 ft³



Volume = 11,015.38 in³