

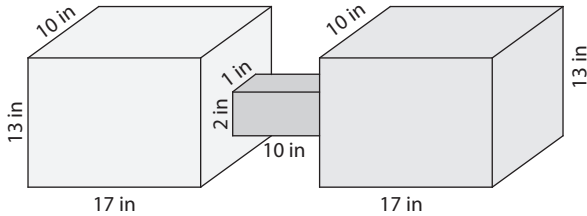
Name : \_\_\_\_\_

## Volume - Composite Shapes

L2S2

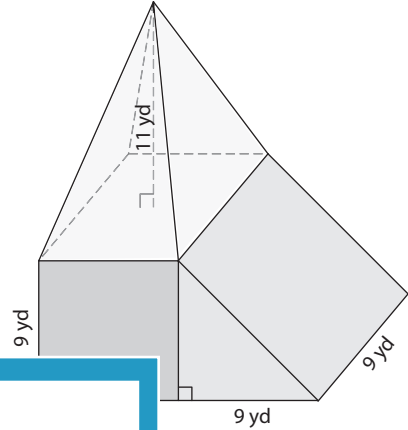
Find the volume of each solid shape. Round your answer to two decimal places.(use  $\pi = 3.14$ )

1)



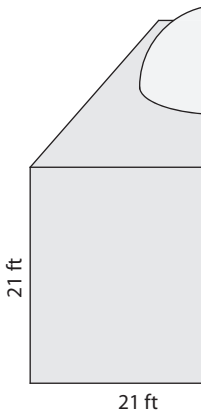
Volume = \_\_\_\_\_

2)



Volume = \_\_\_\_\_

3)



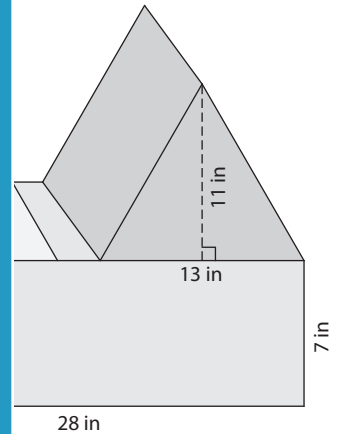
Volume = \_\_\_\_\_

Gain complete access to the largest collection of worksheets in all subjects!

Members, please log in to download this worksheet.

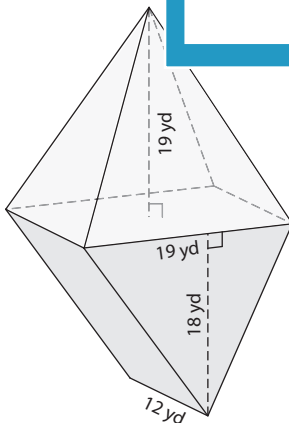
Not a member? Please sign up to gain complete access.

[www.mathworksheets4kids.com](http://www.mathworksheets4kids.com)

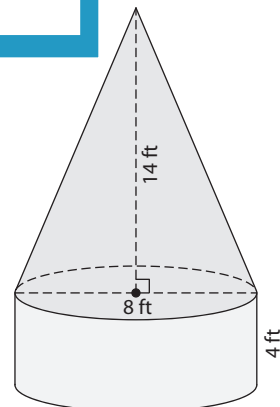


Volume = \_\_\_\_\_

5)



Volume = \_\_\_\_\_



Volume = \_\_\_\_\_

Name : \_\_\_\_\_

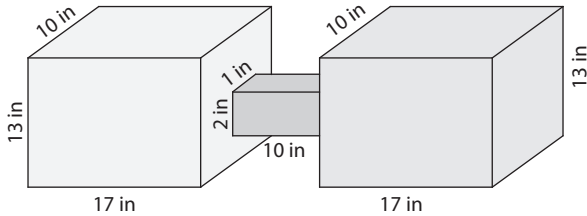
## Answer key

# Volume - Composite Shapes

L2S2

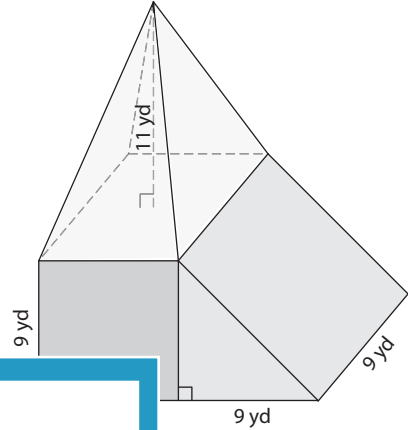
Find the volume of each solid shape. Round your answer to two decimal places. (use  $\pi = 3.14$ )

1)



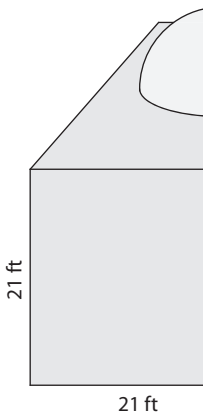
Volume = 4,396 in<sup>3</sup>

2)



Volume = 1,390.5 yd<sup>3</sup>

3)



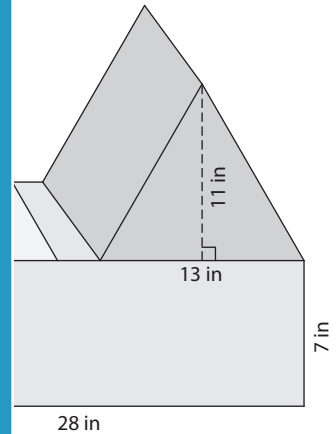
Volume = 10,440 ft<sup>3</sup>

Gain complete access to the largest collection of worksheets in all subjects!

Members, please log in to download this worksheet.

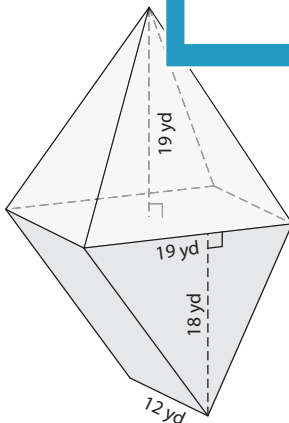
Not a member? Please sign up to gain complete access.

[www.mathworksheets4kids.com](http://www.mathworksheets4kids.com)

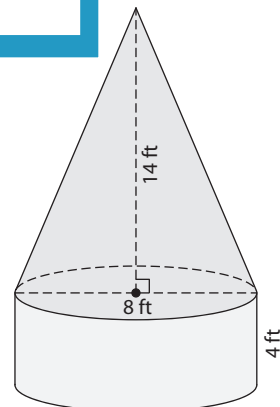


Volume = 2,034 in<sup>3</sup>

5)



Volume = 3,496 yd<sup>3</sup>



Volume = 435.41 ft<sup>3</sup>