

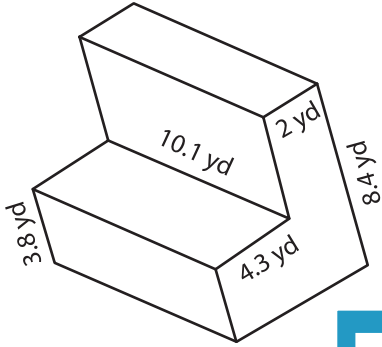
Name : \_\_\_\_\_

DS1

## Volume - Rectangular Prism

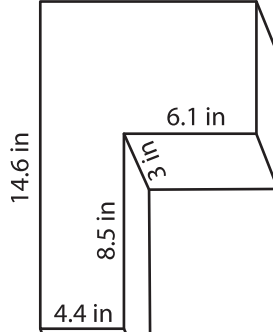
Find the volume of each L - block. Round your answers to two decimal places.

1)

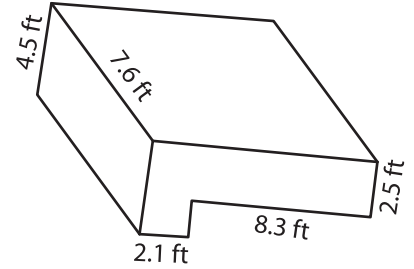


Volume = \_\_\_\_\_

2)

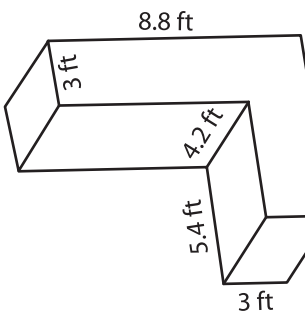


3)



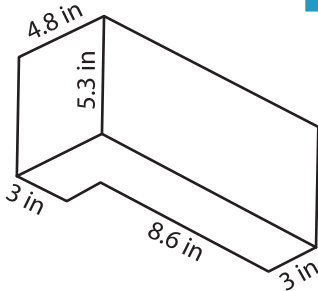
Volume = \_\_\_\_\_

4)

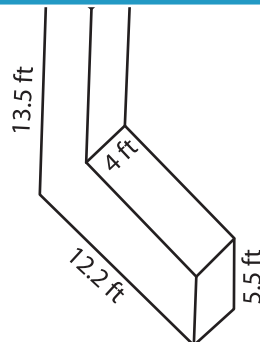


Volume = \_\_\_\_\_

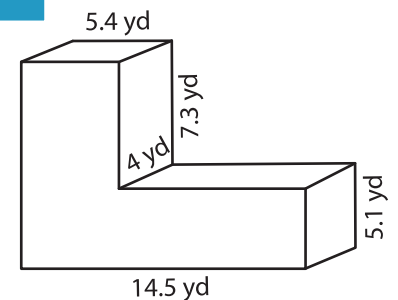
7)



Volume = \_\_\_\_\_



Volume = \_\_\_\_\_



Volume = \_\_\_\_\_

# PREVIEW

Gain complete access to the largest collection of worksheets in all subjects!

Members, please log in to download this worksheet.

Not a member? Please sign up to gain complete access.

[www.mathworksheets4kids.com](http://www.mathworksheets4kids.com)