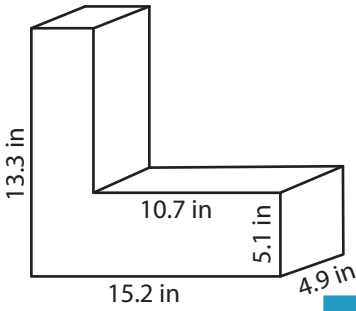


Name : _____

Volume - Rectangular Prism

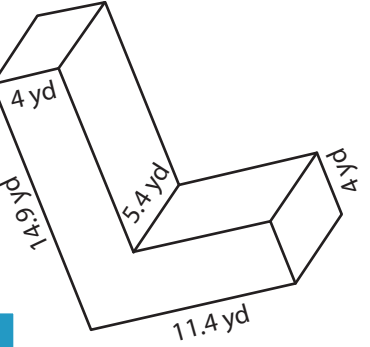
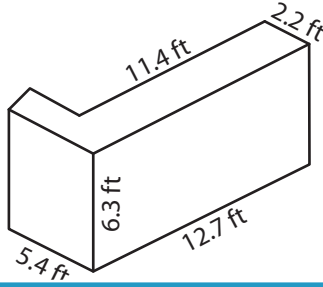
Find the volume of each L - block. Round your answers to two decimal places.

1)



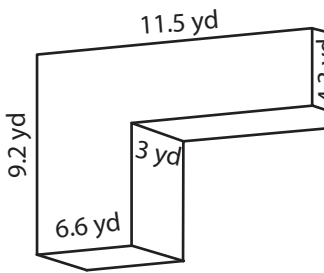
Volume = _____

2)



Volume = _____

4)



Volume = _____

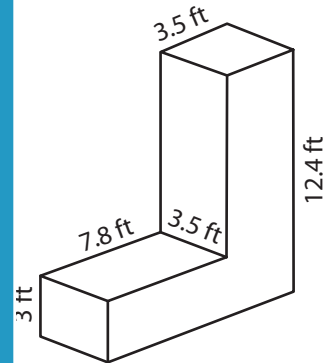
PREVIEW

Gain complete access to the largest collection of worksheets in all subjects!

Members, please log in to download this worksheet.

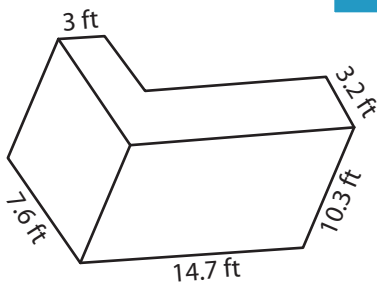
Not a member? Please sign up to gain complete access.

www.mathworksheets4kids.com

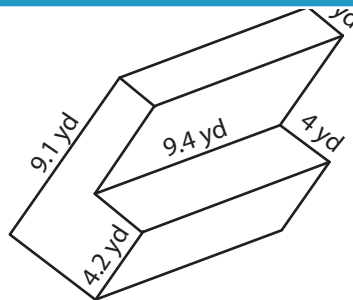


Volume = _____

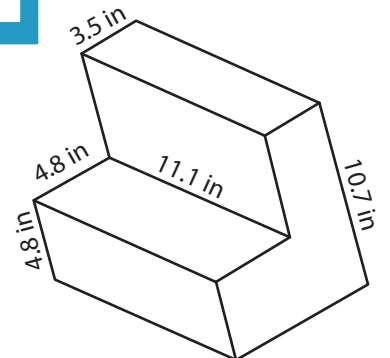
7)



Volume = _____



Volume = _____



Volume = _____

Name : _____

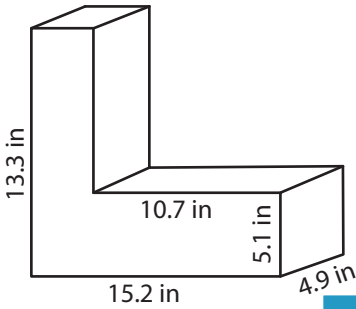
Answer key

Volume - Rectangular Prism

DS3

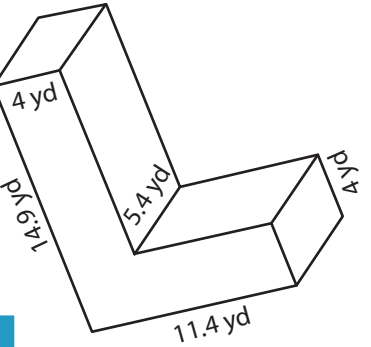
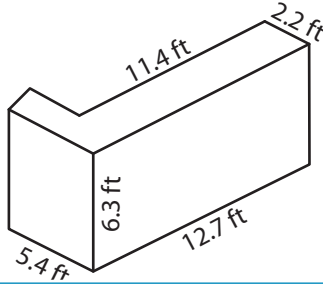
Find the volume of each L - block. Round your answers to two decimal places.

1)



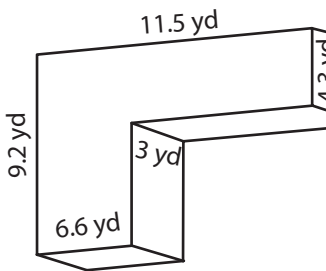
Volume = 560.66 in³

2)



Volume = 481.68 yd³

4)



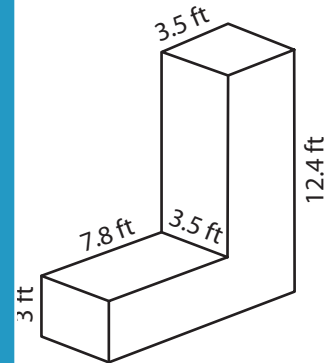
Volume = 245.37 yd³

Gain complete access to the largest collection of worksheets in all subjects!

Members, please log in to download this worksheet.

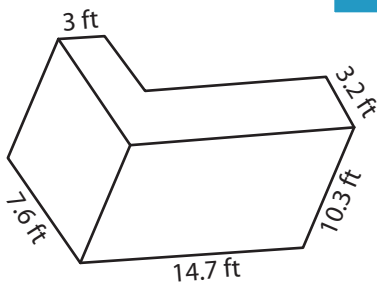
Not a member? Please sign up to gain complete access.

www.mathworksheets4kids.com

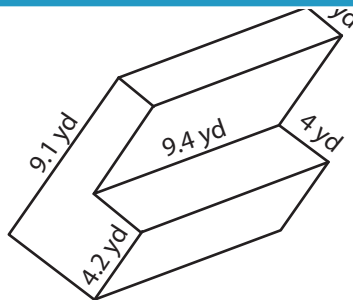


Volume = 233.8 ft³

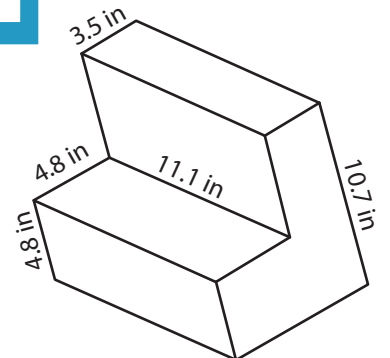
7)



Volume = 620.47 ft³



Volume = 414.54 yd³



Volume = 671.44 in³