

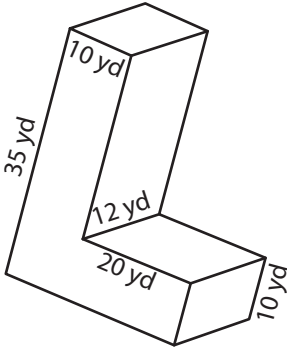
Name : _____

Volume - Rectangular Prism

MS1

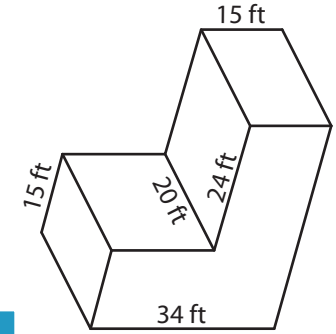
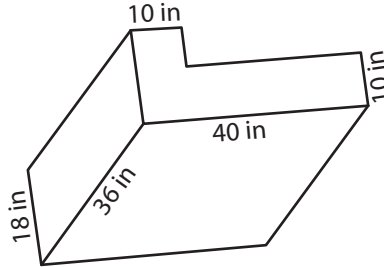
Find the volume of each L - block.

1)



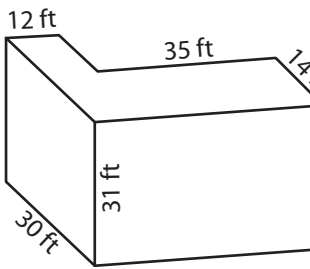
Volume = _____

2)

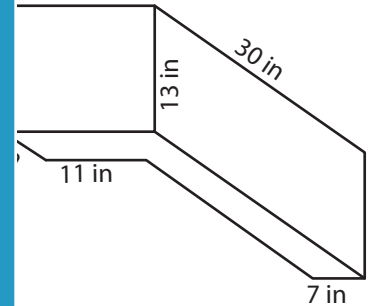


Volume = _____

4)

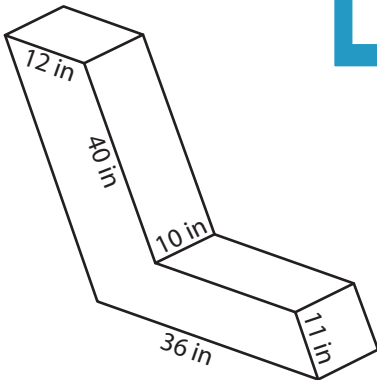


Volume = _____

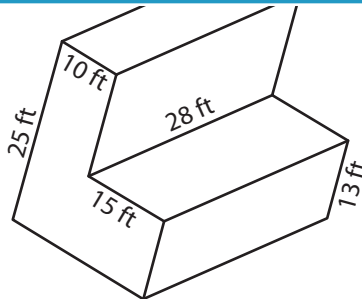


Volume = _____

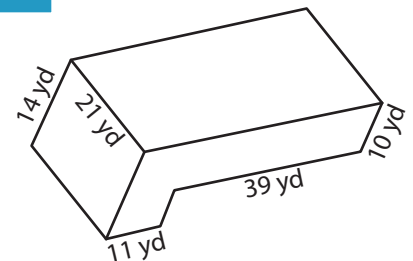
7)



Volume = _____



Volume = _____



Volume = _____

PREVIEW

Gain complete access to the largest collection of worksheets in all subjects!

Members, please log in to download this worksheet.

Not a member? Please sign up to gain complete access.

www.mathworksheets4kids.com

Name : _____

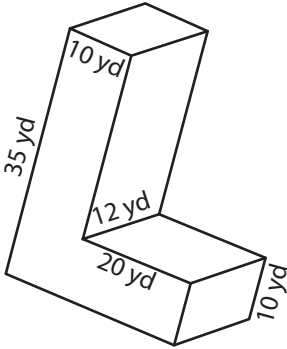
Answer key

Volume - Rectangular Prism

MS1

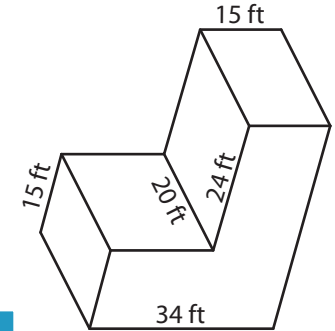
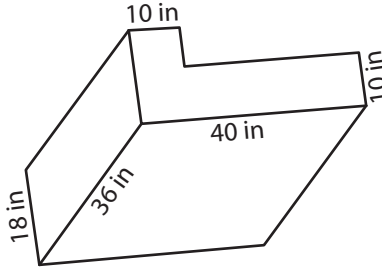
Find the volume of each L - block.

1)



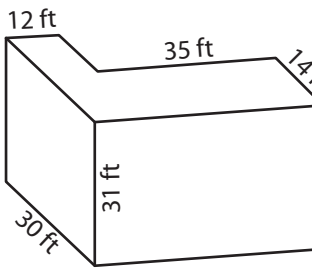
Volume = 6,600 yd³

2)



Volume = 17,400 ft³

4)



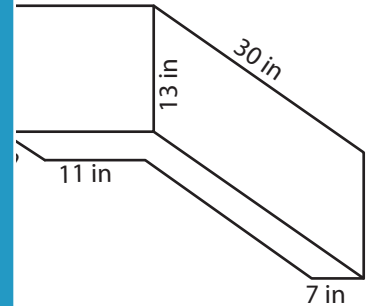
Volume = 26,350 ft³

Gain complete access to the largest collection of worksheets in all subjects!

Members, please log in to download this worksheet.

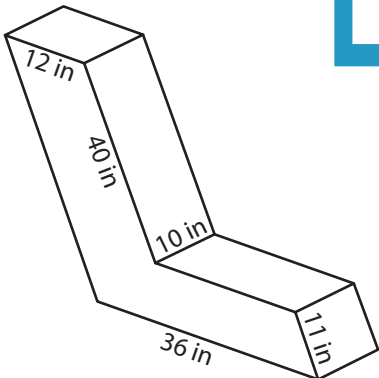
Not a member? Please sign up to gain complete access.

www.mathworksheets4kids.com

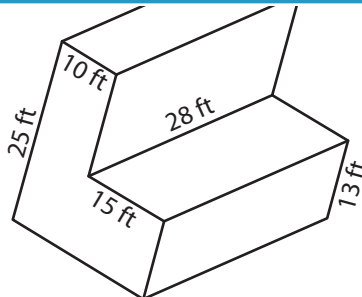


Volume = 3,731 in³

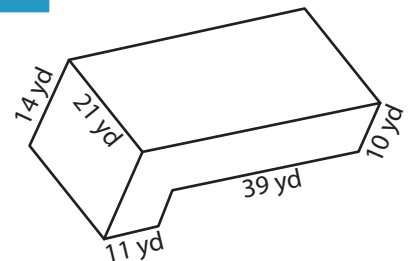
7)



Volume = 8,760 in³



Volume = 12,460 ft³



Volume = 11,424 yd³