

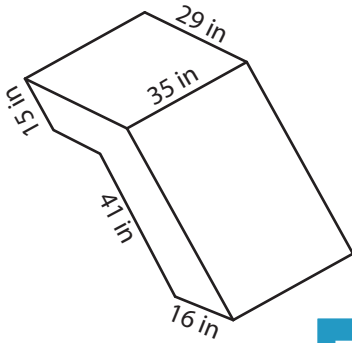
Name : \_\_\_\_\_

## Volume - Rectangular Prism

MS2

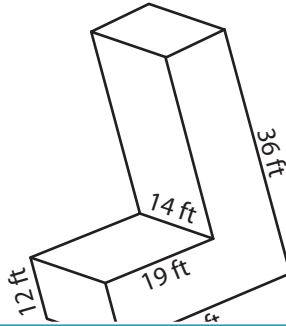
Find the volume of each L - block.

1)

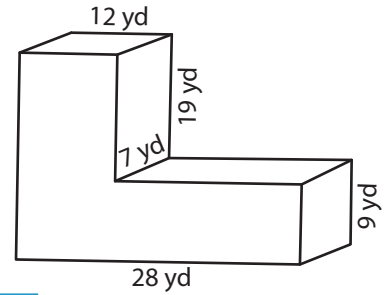


Volume = \_\_\_\_\_

2)

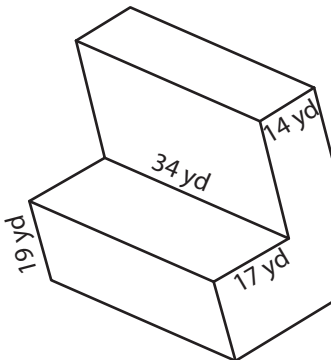


3)



Volume = \_\_\_\_\_

4)



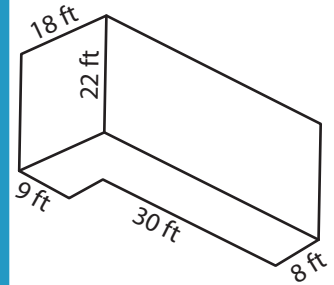
Volume = \_\_\_\_\_

Gain complete access to the largest collection of worksheets in all subjects!

Members, please log in to download this worksheet.

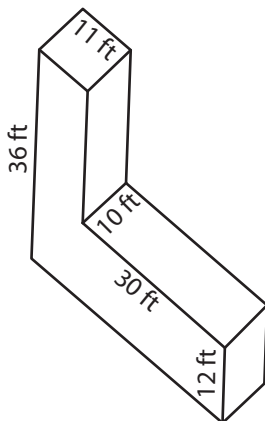
Not a member? Please sign up to gain complete access.

[www.mathworksheets4kids.com](http://www.mathworksheets4kids.com)

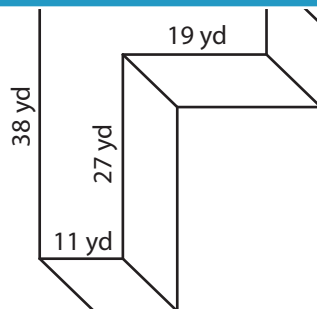


Volume = \_\_\_\_\_

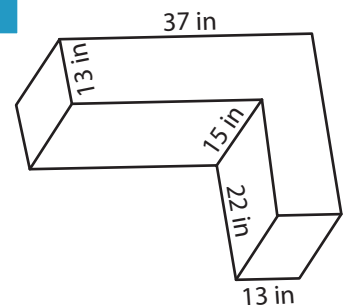
7)



Volume = \_\_\_\_\_



Volume = \_\_\_\_\_



Volume = \_\_\_\_\_

Name : \_\_\_\_\_

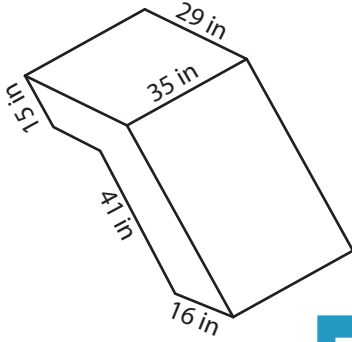
## Answer key

MS2

# Volume - Rectangular Prism

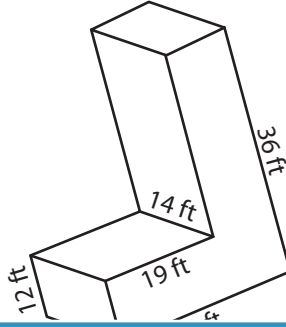
Find the volume of each L - block.

1)

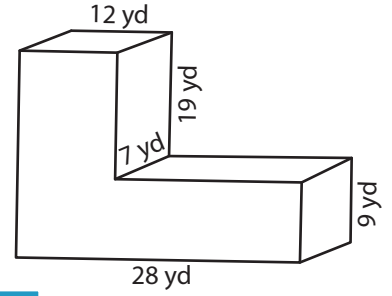


Volume = 38,185 in<sup>3</sup>

2)

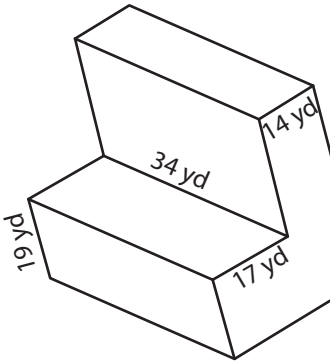


3)



Volume = 3,360 yd<sup>3</sup>

4)



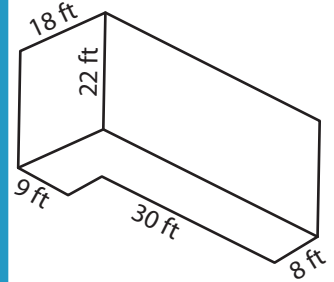
Volume = 28,118 yd<sup>3</sup>

Gain complete access to the largest collection of worksheets in all subjects!

Members, please log in to download this worksheet.

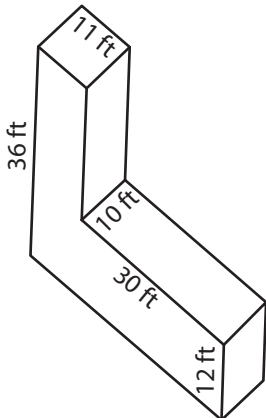
Not a member? Please sign up to gain complete access.

[www.mathworksheets4kids.com](http://www.mathworksheets4kids.com)

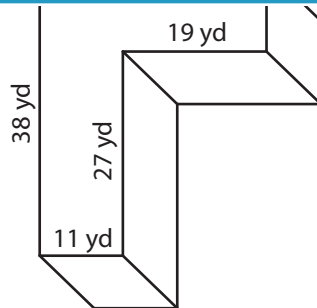


Volume = 8,844 ft<sup>3</sup>

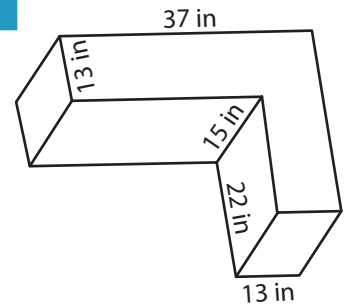
7)



Volume = 7,560 ft<sup>3</sup>



Volume = 6,270 yd<sup>3</sup>



Volume = 11,505 in<sup>3</sup>