

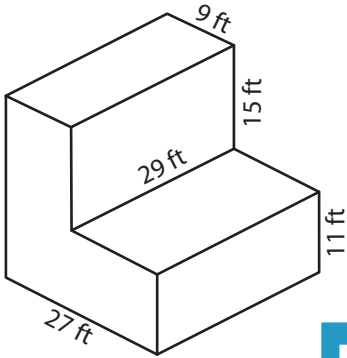
Name : _____

Volume - Rectangular Prism

MS3

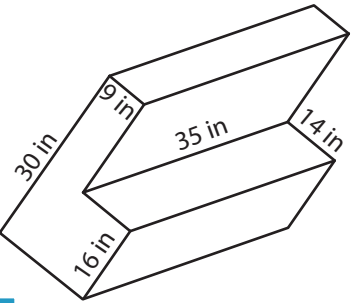
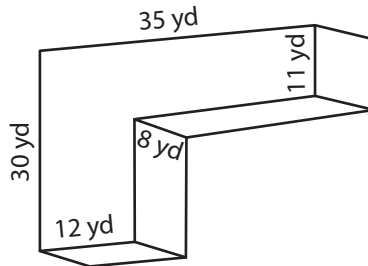
Find the volume of each L - block.

1)



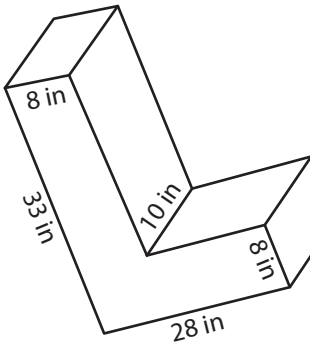
Volume = _____

2)



Volume = _____

4)



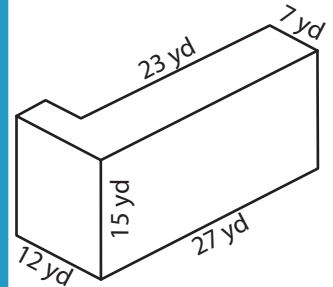
Volume = _____

Gain complete access to the largest collection of worksheets in all subjects!

Members, please log in to download this worksheet.

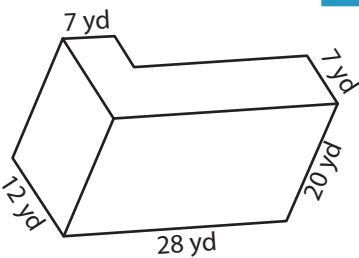
Not a member? Please sign up to gain complete access.

www.mathworksheets4kids.com

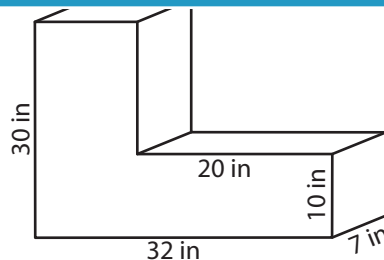


Volume = _____

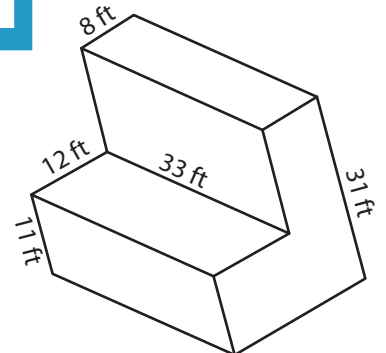
7)



Volume = _____



Volume = _____



Volume = _____

Name : _____

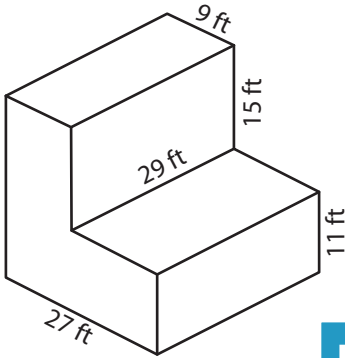
Answer key

Volume - Rectangular Prism

MS3

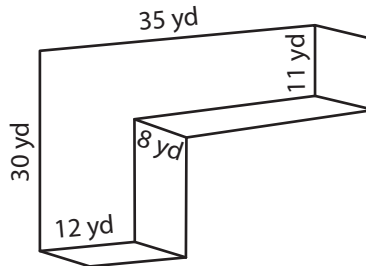
Find the volume of each L - block.

1)

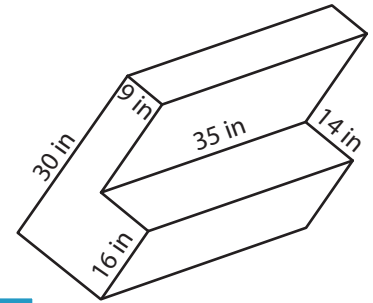


Volume = 12,528 ft³

2)

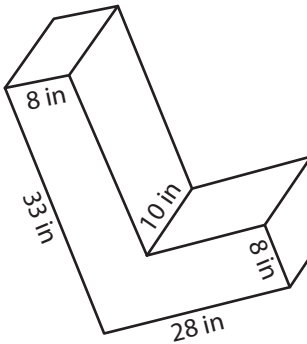


3)



Volume = 17,290 in³

4)



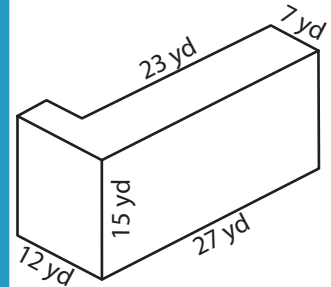
Volume = 4,240 in³

Gain complete access to the largest collection of worksheets in all subjects!

Members, please log in to download this worksheet.

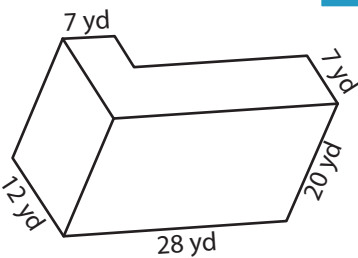
Not a member? Please sign up to gain complete access.

www.mathworksheets4kids.com

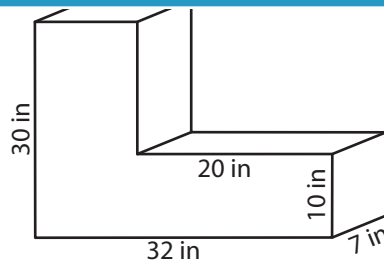


Volume = 3,135 yd³

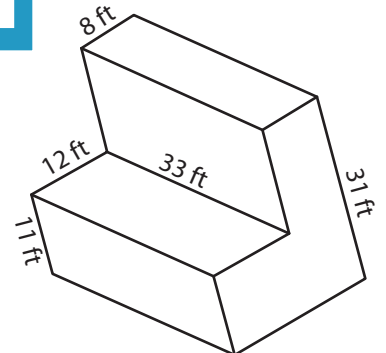
7)



Volume = 4,620 yd³



Volume = 3,920 in³



Volume = 12,540 ft³