

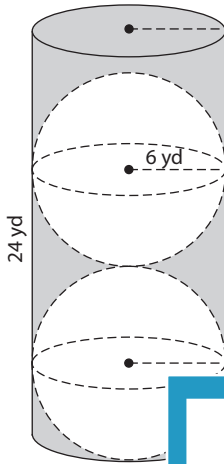
Name : \_\_\_\_\_

# Volume - Composite Shapes

Sheet 1

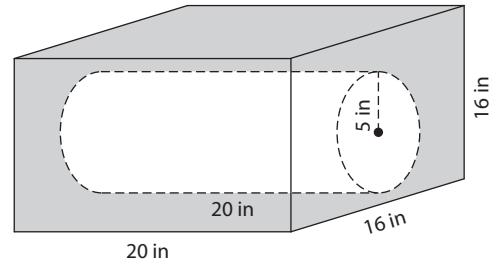
Find the volume of each shaded region. Round your answer to two decimal places.  
(use  $\pi = 3.14$ )

1)

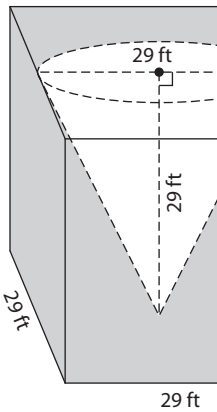


Volume = \_\_\_\_\_

2)

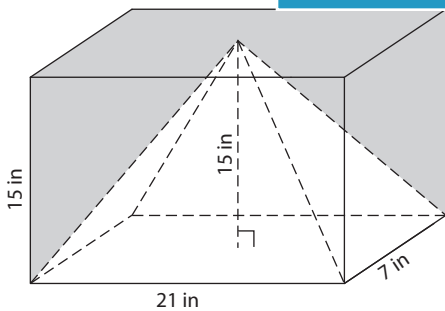


3)

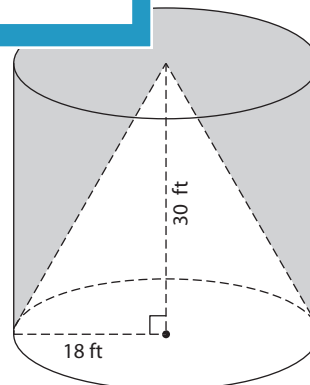


Volume = \_\_\_\_\_

5)



Volume = \_\_\_\_\_



Volume = \_\_\_\_\_

**PREVIEW**

Gain complete access to the largest collection of worksheets in all subjects!

Members, please log in to download this worksheet.

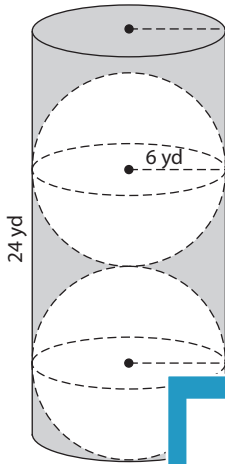
Not a member? Please sign up to gain complete access.

[www.mathworksheets4kids.com](http://www.mathworksheets4kids.com)

**Volume - Composite Shapes**

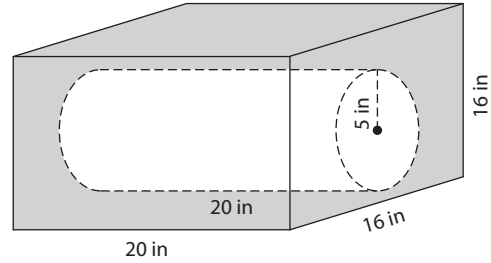
Find the volume of each shaded region. Round your answer to two decimal places.  
(use  $\pi = 3.14$ )

1)



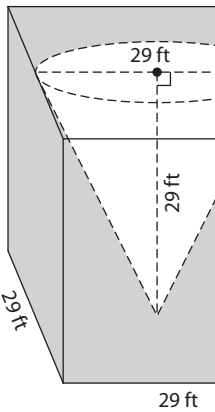
Volume = 90

2)

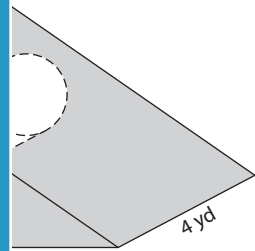


3,550 in<sup>3</sup>

3)

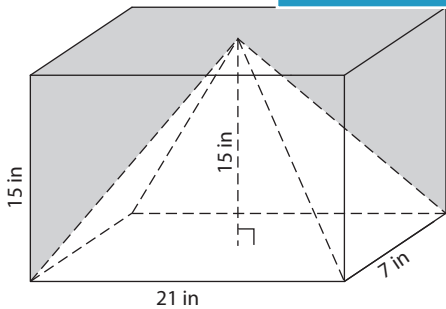


Volume = 18,0

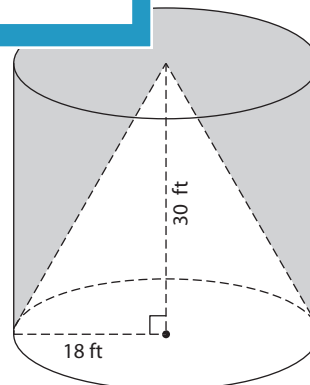


131.44 yd<sup>3</sup>

5)



Volume = 1,470 in<sup>3</sup>



Volume = 20,347.2 ft<sup>3</sup>

**PREVIEW**

Gain complete access to the largest collection of worksheets in all subjects!

Members, please log in to download this worksheet.

Not a member? Please sign up to gain complete access.

[www.mathworksheets4kids.com](http://www.mathworksheets4kids.com)